

**GAS COOKTOPS**  
**INSTALLATION INSTRUCTIONS**

**INSTRUCCIONES DE INSTALACIÓN**

**INSTRUCTIONS D'INSTALLATION**

**ISTRUZIONI PER L'INSTALLAZIONE**

**WOLF<sup>®</sup>**



## CONTACT INFORMATION

**Website:**  
[wolfappliance.com](http://wolfappliance.com)

As you follow these instructions, you will notice **WARNING** and **CAUTION** symbols. This blocked information is important for the safe and efficient installation of Wolf equipment. There are two types of potential hazards that may occur during installation.

### **⚠ CAUTION**

signals a situation where minor injury or product damage may occur if you do not follow instructions.

### **⚠ WARNING**

states a hazard that may cause serious injury or death if precautions are not followed.

Another footnote we would like to identify is **IMPORTANT NOTE**: This highlights information that is especially relevant to a problem-free installation.

**INSTALLATION** REQUIREMENTS**⚠ WARNING**

**This appliance shall be installed in accordance with the regulations in force and only used in a well ventilated space. Read the instructions before installing or using this appliance.**

**IMPORTANT NOTE:**

- Installation and service must be performed by a qualified installer, service agency or the gas supplier.
- Do not store or use gasoline or other flammable vapors and liquids in the vicinity of this or any other appliance.
- The use of a gas cooking appliance results in the production of heat and moisture in the room in which it is installed. Ensure that the kitchen is well ventilated; keep natural ventilation holes open or install a mechanical ventilation device (mechanical extractor hood)
- Prolonged intensive use of the appliance may for additional ventilation, for example opening of a window, or more effective ventilation, for example increasing the level of mechanical ventilation where present.

**WHAT TO DO IF YOU SMELL GAS:**

- Do not try to light any appliance.
- Do not touch any electrical switch.
- Do not use any phone in your building.
- Immediately call your gas supplier from a neighbor's phone. Follow the gas supplier's instructions.
- If you cannot reach your gas supplier, call the fire department.

RATING PLATE  
INFORMATION

Model Number

Serial Number

## INSTALLATION REQUIREMENTS

**IMPORTANT NOTE:** This installation must be completed by a qualified installer, service agency or gas supplier.

**IMPORTANT NOTE:** Save these Installation Instructions for the local inspector's use.

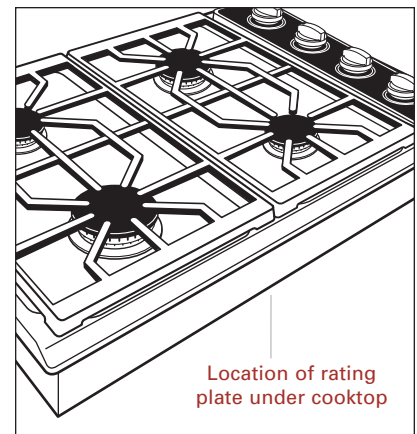
- Please read the entire Installation Instructions prior to installation.
- **Installer:** please retain these instructions for local inspector's reference, then leave them with the homeowner.
- **Homeowner:** please read and keep these instructions for future reference and be sure to read the entire Use & Care Information prior to use.

**IMPORTANT NOTE:** This appliance must be installed in accordance with local codes. The correct voltage, frequency and amperage must be supplied to the appliance from a dedicated, grounded circuit which is protected by a properly sized circuit breaker or time delay fuse. The proper voltage, frequency, and amperage ratings are listed on the product rating plate.

Record the model and serial numbers before installing the cooktop. Both numbers are listed on the rating plate, located on the underside of the cooktop. Refer to the illustration below.

## BEFORE YOU START

- Proper installation is your responsibility. Have a qualified technician install this cooktop. You must also assure that electrical installation is adequate and in compliance with all local codes and ordinances.
- Prior to installation, ensure that the local distribution conditions (nature of the gas and gas pressure) and the adjustment of the appliance are compatible.
- Proper gas supply connection must be available; refer to Gas Supply Requirements on page 10. Electrical ground is required; see Electrical Requirements on page 11.
- The adjustment conditions for this appliance are stated on the label (or rating plate). The data plate can be found on the underside of the cooktop.



Rating plate location



## BEFORE YOU START

- Check the location where the cooktop will be installed. The location should be away from strong draft areas, such as windows, doors and strong heating vents or fans. Do not obstruct flow of combustion and ventilation air.
- This appliance is not connected to a combustion products evacuation device. It shall be installed and connected in accordance with current installation regulations. Particular attention shall be given to the relevant requirements regarding ventilation.

**⚠ WARNING**  
**This cooktop is intended for indoor use.**

## SITE PREPARATION

### COUNTERTOP CUT-OUT DIMENSIONS

**IMPORTANT NOTE:** Countertop opening dimensions shown on the following pages must be used. The dimensions shown provide for required clearances.

These cooktops are designed to fit a standard 610 mm deep base cabinet with a 635 mm deep countertop. Before making the countertop cut-out, verify that the cooktop will clear the side walls of the base cabinet below. There should be at least 140 mm clearance between the countertop and any combustible surface directly below the unit.

**IMPORTANT NOTE:** Do not seal the cooktop to the countertop. It must be removed if service is necessary.

## LOCATION REQUIREMENTS

Illustrations on the following pages provide the overall dimensions, countertop cut-out and installation specifications for Wolf gas cooktops. Maintain the following minimum installation dimensions:

- Minimum horizontal clearance from the sides and back of the cooktop cut-out to adjacent vertical combustible construction, extending a minimum of 457 mm above the countertop, is as follows: 178 mm from side edges of cut-out for the 381 mm cooktop; 229 mm from side edges of cut-out for the 762 mm and 914 mm cooktops; 64 mm from rear edge of cut-out.
- Minimum vertical distance between the countertop and combustible materials above the cooktop must be 762 mm.
- Maximum 330 mm depth of overhead side cabinets directly above and within side clearance.

**IMPORTANT NOTE:** When installing a ventilation hood, refer to the specific requirements of the hood for the minimum dimension to countertop.

**⚠ WARNING**  
**Failure to locate the cooktop without the proper clearances will result in a fire hazard.**



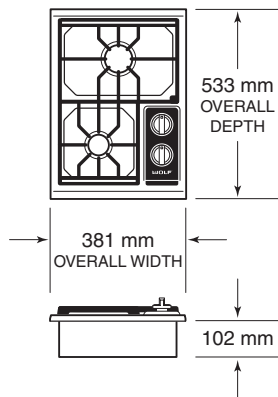
**INSTALLATION SPECIFICATIONS**

The illustrations below provide the overall dimensions, countertop cut-out and installation specifications for Model ICBCT15G.

For Model ICBCT15G, the gas service may be supplied through the floor if the cooktop is not installed above an oven. Refer to the illustration for specifics on placement of gas and electrical.

**IMPORTANT NOTE:** When multiple cooktop units are installed side by side, refer to the countertop cut-out dimensions on page 9.

**INSTALLATION SPECIFICATIONS – MODEL ICBCT15G**

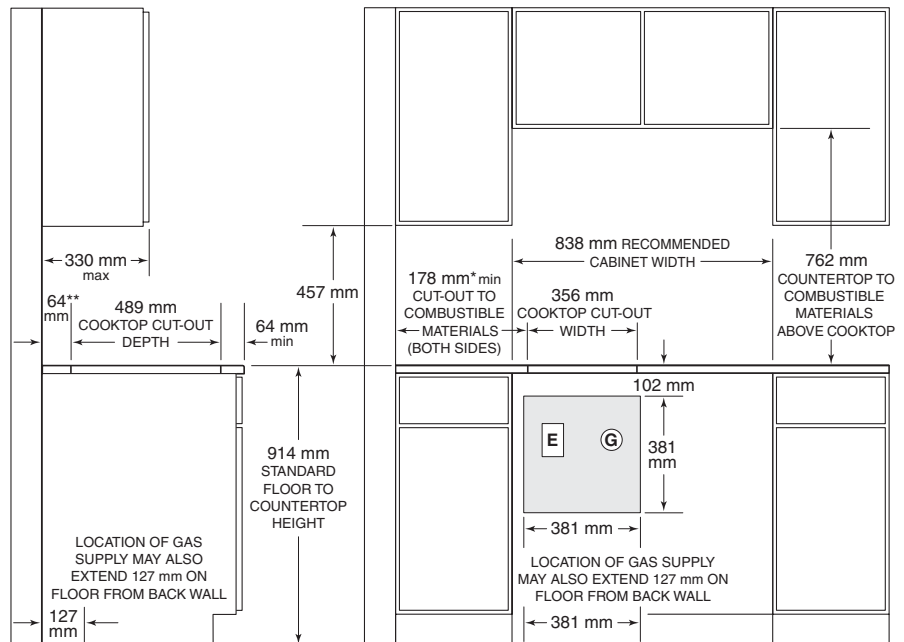


**Overall Dimensions**

**MODEL ICBCT15G DIMENSIONS**

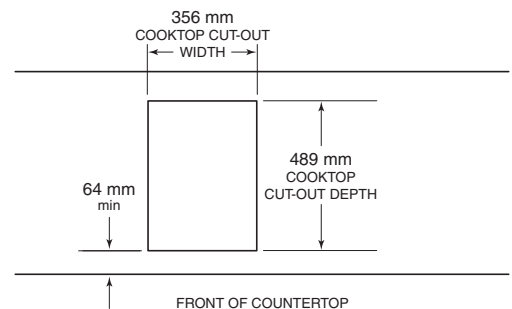
|                           |        |
|---------------------------|--------|
| Overall Width             | 381 mm |
| Overall Height            | 102 mm |
| Overall Depth             | 533 mm |
| Recommended Cabinet Width | 838 mm |
| Minimum Cabinet Depth     | 578 mm |
| Minimum Height Clearance  | 102 mm |
| Cut-Out Width             | 356 mm |
| Cut-Out Depth             | 489 mm |

Unit dimensions may vary to ± 3 mm.



NOTE: Application shown allows for installation of two 381 mm modules side-by-side with 838 mm recommended cabinet width, 457 mm recommended cabinet width for installation of single 381 mm cooktop or module. \*Minimum clearance from both side edges of cooktop cut-out to combustible materials up to 457 mm above countertop. \*\*Minimum clearance from rear edge of cooktop cut-out to combustible materials up to 457 mm above countertop.

**Countertop Cut-Out**





INSTALLATION SPECIFICATIONS

The illustrations below provide the overall dimensions, countertop cut-out and installation specifications for Model ICBCT30G.

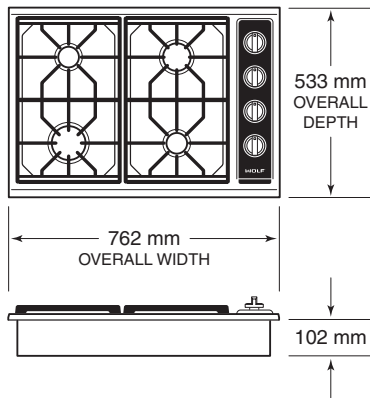
**IMPORTANT NOTE:** 838 mm wide cabinets are recommended for installation of Model ICBCT30G.

A Wolf 762 mm single built-in oven may be installed below Model ICBCT30G. For this installation, unless you are using cabinets deeper than 610 mm, it is recommended that the electrical and gas supply be placed in the base cabinet to the right of the oven. Refer to installation instructions provided with the built-in oven for additional specifications.

If the Model ICBCT30G is installed above cabinets, the gas and electrical placement is not critical. A grounded outlet needs to be placed within 1.2 m of the right rear of the cooktop.

**IMPORTANT NOTE:** When multiple cooktop units are installed side by side, refer to the countertop cut-out dimensions on page 9.

INSTALLATION SPECIFICATIONS – MODEL ICBCT30G

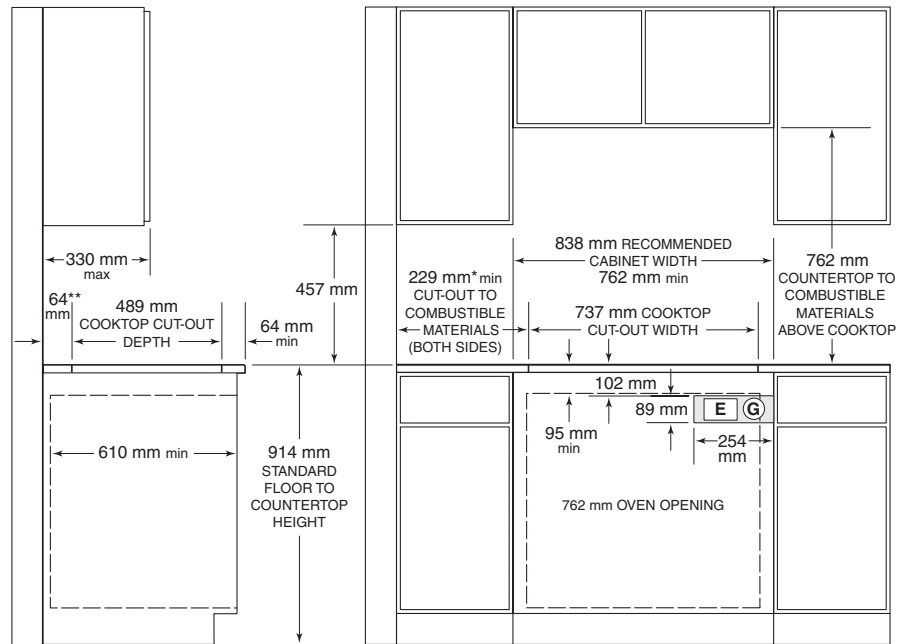


Overall Dimensions

MODEL ICBCT30G DIMENSIONS

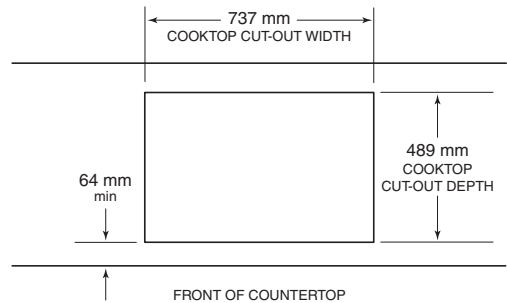
|                           |        |
|---------------------------|--------|
| Overall Width             | 762 mm |
| Overall Height            | 102 mm |
| Overall Depth             | 533 mm |
| Recommended Cabinet Width | 838 mm |
| Minimum Cabinet Depth     | 578 mm |
| Minimum Height Clearance  | 102 mm |
| Cut-Out Width             | 737 mm |
| Cut-Out Depth             | 489 mm |

Unit dimensions may vary to ±3 mm.



\*Minimum clearance from both side edges of cooktop cut-out to combustible materials up to 457 mm above countertop.  
 \*\*Minimum clearance from rear edge of cooktop cut-out to combustible materials up to 457 mm above countertop.

Countertop Cut-Out





**INSTALLATION SPECIFICATIONS**

The illustrations below provide the overall dimensions, countertop cut-out and installation specifications for Model ICBCT36G.

**IMPORTANT NOTE:** 991 mm wide cabinets are recommended for installation of Model ICBCT36G.

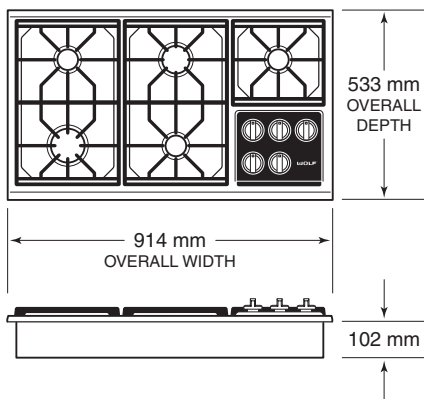
A Wolf 914 mm built-in oven may be installed below Model ICBCT36G. For this installation, unless you are using cabinets deeper than 610 mm, it is recommended that the electrical and gas supply be placed in the base cabinet to the right of the oven. Refer to installation instructions provided with the built-in oven for additional specifications.

If the Model ICBCT36G is installed above cabinets, the gas and electrical placement is not critical. A grounded outlet needs to be placed within 1.2 m of the right rear of the cooktop.

When a 914 mm built-in oven is installed below Model ICBCT36G, it is recommended that the rough opening for the oven be 197 mm from the floor to ease the use of the oven door.

**IMPORTANT NOTE:** When multiple cooktop units are installed side by side, refer to the countertop cut-out dimensions on page 9.

**INSTALLATION SPECIFICATIONS – MODEL ICBCT36G**

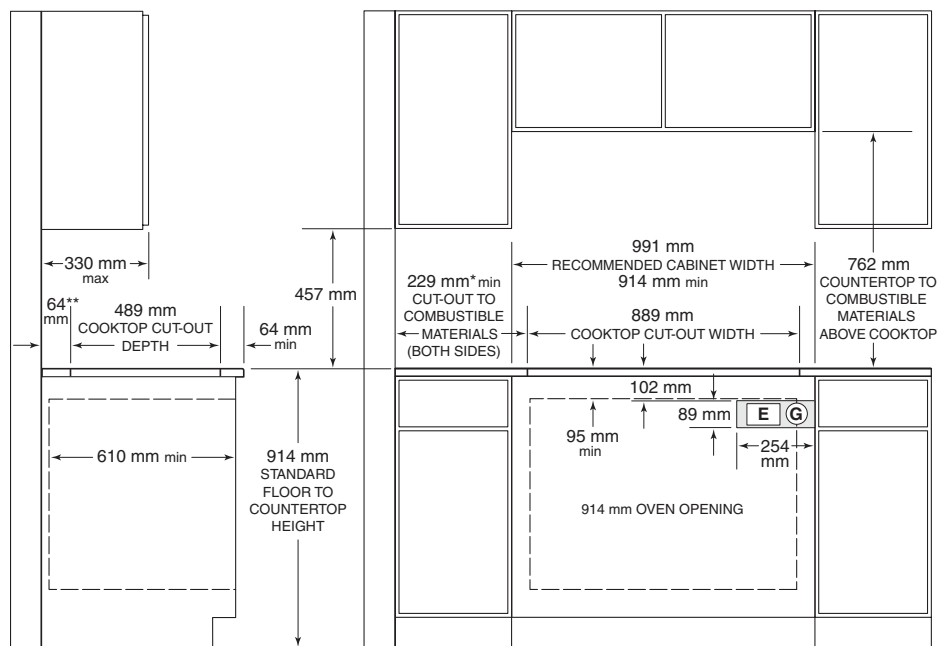


**Overall Dimensions**

**MODEL ICBCT36G DIMENSIONS**

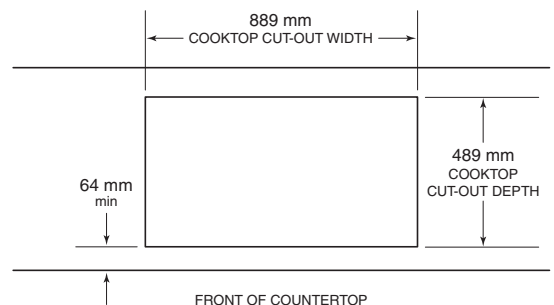
|                           |        |
|---------------------------|--------|
| Overall Width             | 914 mm |
| Overall Height            | 102 mm |
| Overall Depth             | 533 mm |
| Recommended Cabinet Width | 991 mm |
| Minimum Cabinet Depth     | 578 mm |
| Minimum Height Clearance  | 102 mm |
| Cut-Out Width             | 889 mm |
| Cut-Out Depth             | 489 mm |

*Unit dimensions may vary to ±3 mm.*



\*Minimum clearance from both side edges of cooktop cut-out to combustible materials up to 457 mm above countertop.  
 \*\*Minimum clearance from rear edge of cooktop cut-out to combustible materials up to 457 mm above countertop.

**Countertop Cut-Out**





INSTALLATION OPTIONS

MULTIPLE COOKTOP INSTALLATION

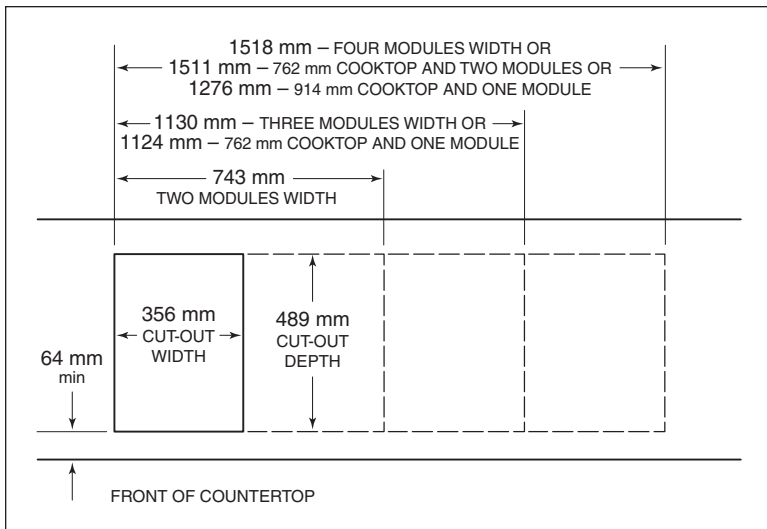
If the gas cooktop is to be used with any combination of additional cooktop units or modules with a filler strip, the cut-out width is calculated by adding the corresponding units' cut-out dimensions plus 32 mm for each additional unit. Refer to the illustration below.

**IMPORTANT NOTE:** When multiple units are installed side by side, each unit must have its own separate recommended electrical circuit.

When two or more modules are installed together, an integrated module filler strip (IFILLER/S) is recommended. Contact your Wolf dealer for information on these accessory components.

OPTIONAL INSTALLATIONS

**Dimensions will vary according to the specific installation.**



Countertop cut-out dimensions for installation of multiple cooktops



## GAS SUPPLY REQUIREMENTS

**⚠ WARNING****EXPLOSION HAZARD—****Securely tighten all external gas connections.****Failure to do so can result in explosion, fire or death.**

## IMPORTANT NOTE

**This installation must conform with local codes and ordinances.****IMPORTANT NOTE:** The gas cooktop must be connected to a regulated gas supply.**IMPORTANT NOTE:** This installation must conform with local codes and ordinances.**IMPORTANT NOTE:** The natural gas cooktop is rated for elevations up to 2438 m without adjustment. Install a high altitude kit for elevations from 2438 to 3084 m. The LP gas cooktop is rated for 3084 m.

The rating plate, located on the underside of the burner box, has information on the type of gas that should be used. If this information does not agree with the type of gas available, check with the local gas supplier.

Provide a gas supply line of 19 mm rigid pipe to the cooktop location. A smaller size pipe on long runs may result in insufficient gas supply. Pipe joint compounds, suitable for use with LP gas should be used. For LP gas, piping or tubing size can be 13 mm minimum. LP gas suppliers usually determine the size and materials used on the system.

If local codes permit, a flexible metal appliance connector is recommended for connecting this cooktop to the gas supply line. Do not kink or damage the flexible connector when moving the cooktop. You will need to determine the fittings required, depending on the size of your gas supply line, flexible metal connector and shut-off valve.

If rigid pipe is used as a gas supply line, a combination of pipe fittings must be used to obtain an in-line connection to the cooktop. All strains must be removed from the supply and gas lines so the cooktop will be level and in line.

## GAS RATING

| Model #       | Total Heat Output (Gas) | Gas Units | Electrical Rating (Watts) | Appliance Category | Types and Pressures (mbar) | Country of Destination   |
|---------------|-------------------------|-----------|---------------------------|--------------------|----------------------------|--|
| ICBCT15G/S    | 6.8                     | kW        | 230                       | I2H                | G20 at 20                  | AT, DK, EE, FI, GR, IE, IT, LT, NO, PT, ES, SE, SI, SK, GB, CH |
|               |                         |           |                           | I2E                | G20 at 20                  | DE, PL   |
|               |                         |           |                           | I2E+               | G20 at 20/25               | BE, FR   |
| ICBCT15G/S-LP | 494                     | g/h       | 230                       | I3P                | G31 at 37                  | BE, CZ, FR, GR, IE, NL, NO, PT, ES, GB, CH                     |
| ICBCT30G/S    | 14.7                    | kW        | 230                       | I2H                | G20 at 20                  | AT, DK, EE, FI, GR, IE, IT, LT, NO, PT, ES, SE, SI, SK, GB, CH |
|               |                         |           |                           | I2E                | G20 at 20                  | DE, PL   |
|               |                         |           |                           | I2E+               | G20 at 20/25               | BE, FR   |
| ICBCT30G/S-LP | 1069                    | g/h       | 230                       | I3P                | G31 at 37                  | BE, CZ, FR, GR, IE, NL, NO, PT, ES, GB, CH                     |
| ICBCT36G/S    | 17.7                    | kW        | 230                       | I2H                | G20 at 20                  | AT, DK, EE, FI, GR, IE, IT, LT, NO, PT, ES, SE, SI, SK, GB, CH |
|               |                         |           |                           | I2E                | G20 at 20                  | DE, PL   |
|               |                         |           |                           | I2E+               | G20 at 20/25               | BE, FR   |
| ICBCT36G/S-LP | 1287                    | g/h       | 230                       | I3P                | G31 at 37                  | BE, CZ, FR, GR, IE, NL, NO, PT, ES, GB, CH                     |



## ELECTRICAL REQUIREMENTS

### ⚠ WARNING

#### **ELECTRICAL SHOCK HAZARD—**

**Plug into a grounded 3-prong adapter.**

**Do not remove ground prong.**

**Do not use an adapter.**

**Failure to follow these instructions can result in electric shock, fire or death.**

**IMPORTANT NOTE:** If codes permit and a separate ground wire is used, it is recommended that a qualified electrician determine that the ground path is adequate.

**IMPORTANT NOTE:** Check with a qualified electrician if you are not sure whether the cooktop is properly grounded.

**IMPORTANT NOTE:** Do not ground to a gas pipe.

A 220-240 VAC, 50/60 Hz, fused electrical supply is required. A time-delay fuse or circuit breaker is recommended. It is recommended that a separate circuit serving only this appliance be provided.

Electronic ignition systems operate within wide voltage limits, but proper ground and polarity are necessary. In addition to checking that the outlet provides 220-240 VAC power and is correctly grounded, the outlet must be checked by a qualified electrician to see if it is wired with correct polarity. A wiring diagram is provided in the literature package.

This appliance, when installed, must be electrically grounded in accordance with local codes.

## RECOMMENDED GROUND METHOD

**IMPORTANT NOTE:** For your personal safety, this cooktop must be grounded. This cooktop is equipped with a 3-prong ground plug. To minimize possible shock hazard, the cord must be plugged into a mating 3-prong ground-type outlet, grounded in conformance with all local codes and ordinances. If a mating outlet is not available, it is the obligation of the customer to have a properly grounded, 3-prong outlet installed by a qualified electrician.

**IMPORTANT NOTE:** If product is connected to a GFCI protected outlet, nuisance tripping of power supply may occur, resulting in loss of product operation.

## WIRING DIAGRAM

A wiring diagram covering the control circuit for each Wolf gas cooktop model can be found on page 15.

**COOKTOP INSTALLATION**

Remove the cooktop, burner grates and burner caps from the shipping package.

Lower the cooktop into the countertop cut-out opening. Center the cooktop in the opening and check that the front edge of cooktop is parallel to the front edge of the countertop. Check that all required clearances are met. Use a pencil to outline the rear edge of the cooktop on the countertop. Remove the cooktop from the countertop opening.

**IMPORTANT NOTE:** When repositioning the cooktop in the countertop cut-out opening, lift the entire cooktop up from the opening to prevent scratching the countertop.

Remove the foam strip from the hardware package. Apply the foam strip around the bottom of the burner box flush with the edge as shown in the illustration below.

Reinsert the cooktop into the countertop opening. Check that the cooktop is parallel to the front edge of the countertop. Lift the entire cooktop to make adjustments and align the rear edge with the pencil line.

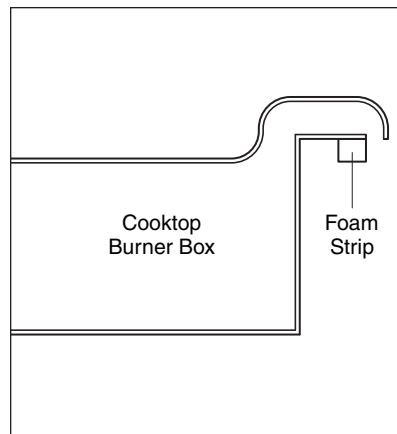
Attach the brackets to the burner box. Insert the 89 mm clamping screws into the brackets. Use a screwdriver to tighten the clamping screws against the underside of the countertop. Refer to the illustration below. Do not overtighten screws.

**GAS LEAK TESTING**

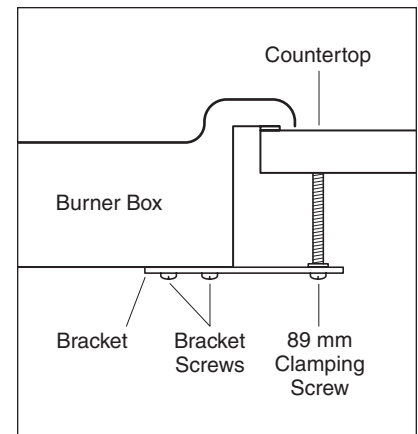
Use a brush and liquid detergent to test all gas connections for leaks. Bubbles around connections will indicate a leak. If a leak appears, shut off gas valve controls and adjust connections. Then check connections again. Clean all the detergent solution from the cooktop.

**⚠ WARNING**

**Never test for a gas leak with a match or other flame.**



**Foam strip application**






**Bracket installation**





## SURFACE BURNERS

### INITIAL LIGHTING

The surface burners use electronic igniters in place of standing pilots. When the cooktop control knob is pushed in and turned to the  position, the system creates a spark to light the burner. This sparking continues until the electronic ignition senses a flame. If the burner fails to ignite after 10 seconds, return the knob to the  position and attempt to ignite by turning the knob back to the  position.

Be sure to place the burner heads and caps on each burner base and position the burner grates over the burner bases and heads before lighting.

To check operation of the surface burners, push in and turn each control knob to the  position. The flame should light within four seconds.

If the burners do not light properly, turn control knob to the  position. Check that the burner heads and caps are in the proper position. Check that the power supply cord is plugged in and that the circuit breaker or house fuse has not blown. Check operation again, if the burners do not light properly at this point, contact a Wolf authorized service center.

**IMPORTANT NOTE:** Initial lighting of the surface burners may take slightly longer, as air in the system must be purged before gas can be supplied to the burner.

## COOKTOP REMOVAL

If it is necessary to remove the cooktop for cleaning or service, shut off the gas supply. Disconnect the gas and electric supply. Remove the mounting brackets on the right and left side of the burner box and remove the cooktop. Reinstall in the reverse order and check the gas connection for leaks.

### TROUBLESHOOTING

**IMPORTANT NOTE:** If the cooktop does not operate properly, follow these troubleshooting steps:

- Verify that power is being supplied to the cooktop.
- Check that gas valves are turned to the ON position.
- Check the gas supply and electrical connections to ensure that the installation has been completed correctly.
- Follow troubleshooting procedures as described in the Wolf Gas Cooktops Use & Care Information.
- If the cooktop still does not work, contact a Wolf authorized service center. Do not attempt to repair the cooktop yourself. Wolf is not responsible for service required to correct a faulty installation.



IF YOU NEED **SERVICE**

- For service in your area, contact either your Wolf dealer or visit the Showroom Locator section of our website, [wolfappliance.com](http://wolfappliance.com) to find the regional distributor by country.
- When calling for service, you will need the cooktop model and serial numbers. Both numbers are listed on the rating plate, located on the underside of the cooktop. Refer to the illustration on page 4 for location of the rating plate.

CONTACT  
INFORMATION

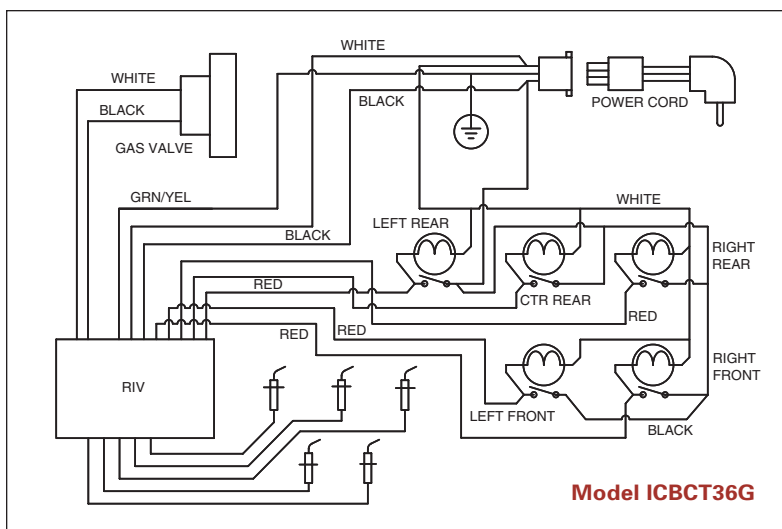
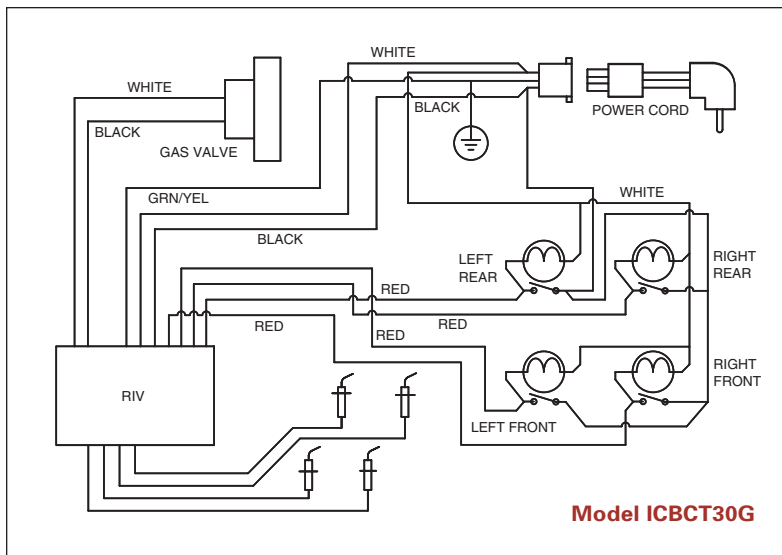
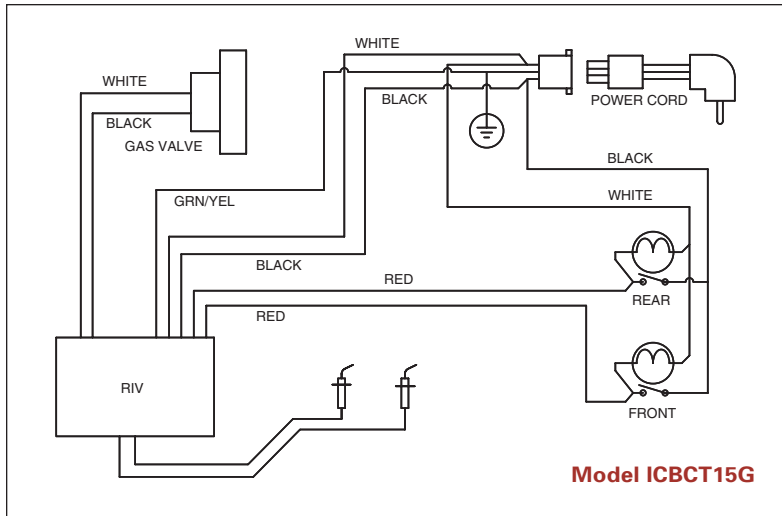
**Website:**  
[wolfappliance.com](http://wolfappliance.com)

The information and images in this book are the copyright property of Wolf Appliance, Inc., an affiliate of Sub-Zero, Inc. Neither this book nor any information or images contained herein may be copied or used in whole or in part without the express written permission of Wolf Appliance, Inc., an affiliate of Sub-Zero, Inc.

©Wolf Appliance, Inc. all rights reserved.



WIRING DIAGRAMS



WOLF APPLIANCE, INC.  
PO BOX 44848  
MADISON, WI 53744 USA  
WOLFAPPLIANCE.COM

810127 11/2007



**WOLF**<sup>®</sup>