

**FRYER MODULE  
INSTALLATION INSTRUCTIONS**

**MÓDULO DE FREIDORA INSTRUCCIONES DE INSTALACIÓN**

**FRITEUSE INSTRUCTIONS D'INSTALLATION**

**FRIGGITRICE ISTRUZIONI PER L'INSTALLAZIONE**

**WOLF®**



**WOLF**<sup>®</sup>

ENGLISH	4
ESPÁNOL	14
FRANÇAIS	24
ITALIANO	34



## CONTACT INFORMATION

**Website:**  
[wolfappliance.com](http://wolfappliance.com)



As you follow these instructions, you will notice **WARNING** and **CAUTION** symbols. This blocked information is important for the safe and efficient installation of Wolf equipment. There are two types of potential hazards that may occur during installation.

### **⚠ CAUTION**

signals a situation where minor injury or product damage may occur if you do not follow instructions.

### **⚠ WARNING**

states a hazard that may cause serious injury or death if precautions are not followed.

Another footnote we would like to identify is **IMPORTANT NOTE**: This highlights information that is especially relevant to a problem-free installation.



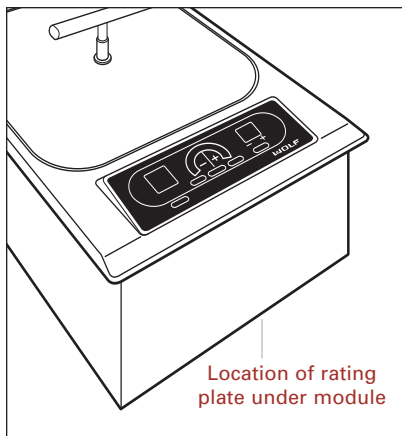
**INSTALLATION** REQUIREMENTS

**IMPORTANT NOTE:** Save these Installation Instructions for the local inspector's use.

- Please read the entire Installation Instructions prior to installation.
- This installation must be completed by a qualified technician.
- **Installer:** please retain these instructions for local inspector's reference, then leave them with the homeowner.
- **Homeowner:** please read and keep these instructions for future reference and be sure to read the entire Use & Care Information prior to use.

**IMPORTANT NOTE:** This appliance must be installed in accordance with local codes. The correct voltage, frequency and amperage must be supplied to the appliance from a dedicated, grounded circuit which is protected by a properly sized circuit breaker or time delay fuse. The proper voltage, frequency, and amperage ratings are listed on the product rating plate.

Record the model and serial numbers before installing the fryer module. Both numbers are listed on the product rating plate located on the underside of the module. Refer to the illustration below.



**Rating plate location**

**BEFORE** YOU START

**IMPORTANT NOTE:** Installation and service must be performed by a qualified installer or service agency.

- Installation of the fryer module must meet the minimum clearance requirements for safe operation. Refer to Site Preparation on page 6.
- The fryer module must be installed in a base cabinet that allows access to the manual drain valve for draining the oil. Refer to the Manual Drain Outlet section on page 8.
- If the fryer module is to be used with any combination of additional cooktop units or modules, refer to the Multiple Cooktop Installation section on page 8.
- Electrical installation must be adequate and in compliance with all local codes and ordinances. Electrical ground is required, refer to Electrical Requirements on page 10.

**IMPORTANT NOTE:** A ventilation hood is recommended (but not required) for use with the Wolf electric fryer module.

**⚠ WARNING**  
**This module is intended for indoor use.**



**Model ICBIF15/S**

**Model Number**  
**ICBIF15/S**

**Serial Number**



**SITE PREPARATION**

**IMPORTANT NOTE:** Installation of the Wolf electric fryer module must meet the following location requirements. All dimensions listed are minimum requirements for safe operation. Refer to the illustration below.

**⚠ WARNING**  
**To eliminate the risk of burns or fire by reaching over heated surface units, cabinet storage space located above the surface units should be avoided. If cabinet storage is to be provided, the risk can be reduced by installing a ventilation hood that projects horizontally a minimum of 127 mm beyond the bottom cabinets.**

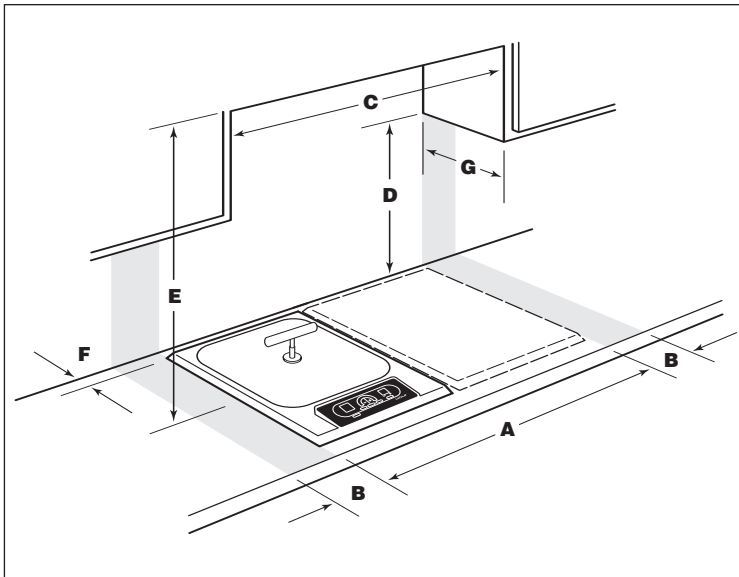
**LOCATION IN COUNTERTOP**

- A)** Minimum flat countertop surface. Must be equal to or greater than the width of the module(s).
- B)** Minimum 152 mm wide clearance from the module side edge to any combustible surface up to 457 mm above the countertop (noted by shaded area).

**OVERHEAD CABINET DIMENSIONS**

- C)** Minimum spacing between overhead side cabinets must be greater than or equal to the nominal width of the module(s).
- D)** Minimum 457 mm vertical distance from the countertop to the bottom of side cabinets within minimum side clearance.
- E)** Minimum vertical distance between the countertop and combustible materials above the module must be 762 mm.
- F)** Minimum 25 mm from rear wall.
- G)** Maximum 330 mm depth of overhead and side cabinets directly above and within side clearance.

**⚠ WARNING**  
**Failure to locate the fryer module without the proper clearances will result in a fire hazard.**



**Minimum installation clearances**



INSTALLATION SPECIFICATIONS

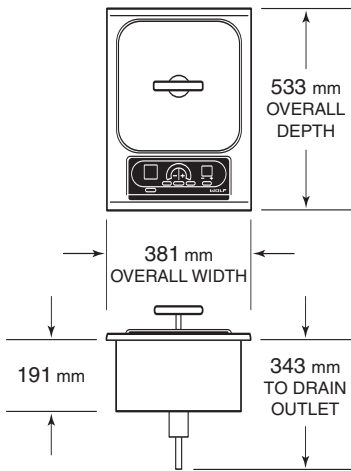
The illustrations below provide the overall dimensions, finished cut-out dimensions and electrical placement for the Wolf electric fryer module.

The fryer module is designed to fit a standard 610 mm deep base cabinet with 635 mm deep countertop. Before making the countertop cut-out, verify that the module will clear the side walls of the base cabinet below.

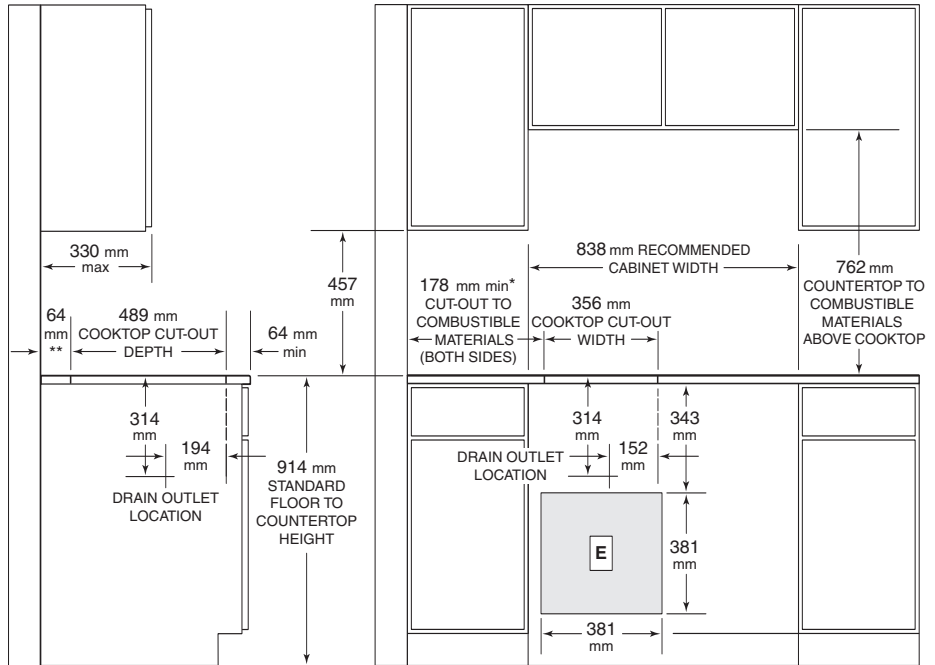
MODEL ICBIFI5/S DIMENSIONS

Overall Width	381 mm
Overall Height	343 mm
Overall Depth	533 mm
Minimum Cabinet Depth	578 mm
Minimum Height Clearance	343 mm
Cut-Out Width	356 mm
Cut-Out Depth	489 mm

Unit dimensions may vary to 3 mm.



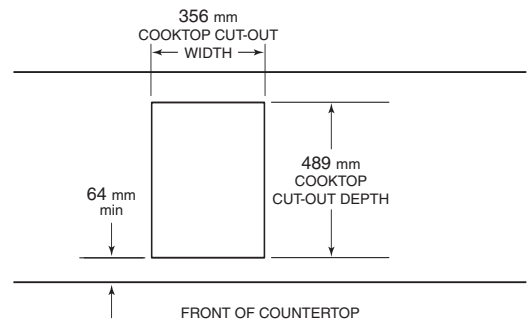
Overall Dimensions



NOTE: Application shown allows for installation of two 381 mm modules side-by-side with 838 mm recommended cabinet width. 457 mm recommended cabinet width for installation of single 381 mm cooktop or module. NOTE: Fryer module must be installed in a base cabinet with access to manual valve at base of unit to drain oil into heat resistant receptacle. \*Minimum clearance from both side edges of cooktop cut-out to combustible materials up to 457 mm above countertop. \*\*Minimum clearance from rear edge of cooktop cut-out to combustible materials up to 457 mm above countertop.

Installation Specifications

Countertop Cut-Out Dimensions





**MANUAL DRAIN OUTLET**

**IMPORTANT NOTE:** The fryer module must be installed in a base cabinet that allows access to the manual drain valve for draining the oil. A heat-resistant bucket must be positioned under the drain outlet to accept the oil. The bucket must be able to hold 7.6 L. Refer to the Installation Specifications illustration on page 7 for location of the manual drain outlet.

**MULTIPLE COOKTOP INSTALLATION**

**IMPORTANT NOTE:** If the fryer module is to be used with a combination of additional cooktop units or modules with a filler strip, the cut-out width is calculated by adding the corresponding units' cut-out dimensions plus 32 mm for each additional unit.

When multiple units are installed side by side, each unit must have its own separate recommended electrical circuit.

When two or more modules are installed together, an integrated module filler strip (IFILLER/S) is recommended. Contact your Wolf dealer for information on accessories.

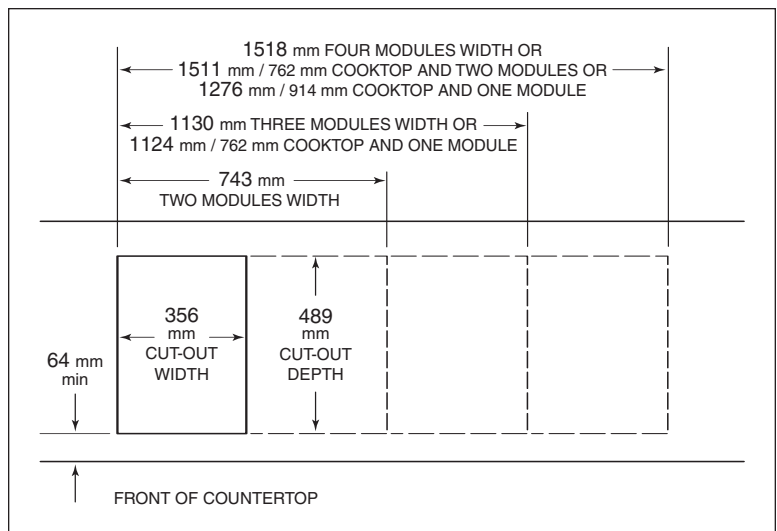
**IMPORTANT NOTE:** Review specific installation instructions for product to product capabilities.

**⚠ WARNING**

**This fryer module must be installed at least 381 mm away from any open-flame cooking device. The open flame may cause ignition of oil.**

**⚠ WARNING**

**This fryer module must be installed at least 381 mm away from a Wolf steamer module, as contact between water and hot oil may cause burns from steam and hot oil.**



**Countertop cut-out dimensions for installation of multiple cooktops**



### VENTILATION OPTIONS

**IMPORTANT NOTE:** It is recommended that you operate the Wolf electric fryer module with either a Wolf cooktop or Pro ventilation hood or hood liner. Contact your Wolf dealer for details.

- **Cooktop Wall Hood** – 762 mm or 914 mm widths in classic stainless steel.
- **Cooktop Island Hood** – 1067 mm width in classic stainless steel.
- **Pro Wall Hood** – 559 mm, 610 mm or 686 mm depths and 762 mm to 1676 mm widths in classic stainless steel.
- **Pro Island Hood** – 914 mm to 1676 mm widths in classic stainless steel.
- **Pro Hood Liner** – available in widths to accommodate 914 mm to 1524 mm hoods.

All hoods have welded seams, sealed halogen lighting and removable, dishwasher-safe filters.

**IMPORTANT NOTE:** Wolf does not recommend the use of downdraft ventilation with the fryer module.

**IMPORTANT NOTE:** When installing a ventilation hood, refer to the specific requirements of the hood for the minimum dimension to the countertop.

### ACCESSORIES

**Optional accessories are available through your Wolf dealer.**

## ELECTRICAL REQUIREMENTS

**⚠ WARNING**

**Verify that power is disconnected from the junction box before proceeding.**

- **Required Power Supply**  
220–240 V AC, 50–60 Hz, 15 amp service
- **Maximum Connected Load**  
2.6 kW

The Wolf electric fryer module requires a separate, grounded 3-wire 220–240 V AC, 50–60 Hz, 15 amp service with its own circuit breaker or fuse. A properly rated cord should be attached to the power supply box of the fryer as shown in the illustration below. Open the power box to expose the screws with corresponding numbers. Loosen the 1, 5, and ground screws. Run the cord through the circular hole and into the power supply box. Attach the Neutral wire to the number 1 position. Line should be attached to the 5 position and attach the ground to the corresponding ground screw. After tightening the screws, close the cover to the power supply box without pinching any of the wires.

You must follow local codes and ordinances when installing your service.

**IMPORTANT NOTE:** The correct voltage, frequency and amperage must be supplied to the appliance from a dedicated, grounded circuit which is protected by a properly sized circuit breaker or time delay fuse. The proper voltage, frequency, and amperage ratings are listed on the product rating plate located on the underside of the module. Refer to the illustration on page 5.

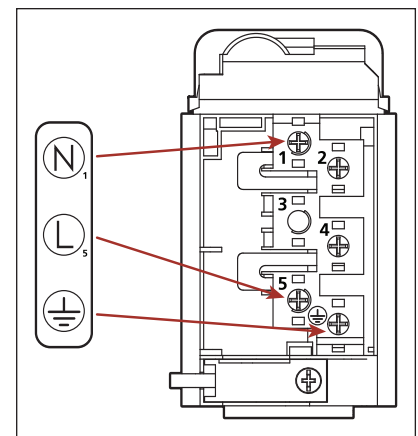
The wiring diagram covering the control circuit is located inside the module control box.

**⚠ WARNING**

**The complete appliance must be properly grounded at all times when electrical power is applied.**

**Improper connection can result in a fire hazard!**

**IMPORTANT NOTE:** To avoid electrical shock when disconnecting the fryer module, all poles/wires must be disconnected from the power supply box.



**Power supply box**



MODULE INSTALLATION

To prevent pollution from entering the controller and transformer area, attach the foam strip to the underside of the module frame. Refer to the illustration below.

Gently lower the fryer module into the cut-out area in the countertop and center. Check that the front edge of module is parallel to the front edge of the countertop. Check that all required clearances are met.

To attach the brackets to the sides of the module, insert the clip into the rectangular punchout in the pan, and push down. Install the clamping screw into the bracket and tighten until the screw contacts the underside of the countertop. Do not overtighten screws. Refer to the illustration below.

**IMPORTANT NOTE:** Do not use caulk or silicone to seal the module to the countertop. The unit must be readily removable for service.

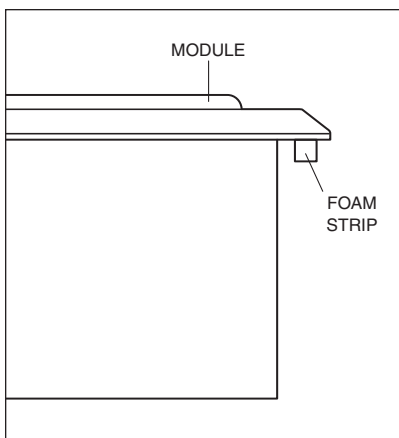
BEFORE OPERATING

Read the entire Wolf Fryer Module Use & Care Information included with the module. Important safety and service information is contained within the book.

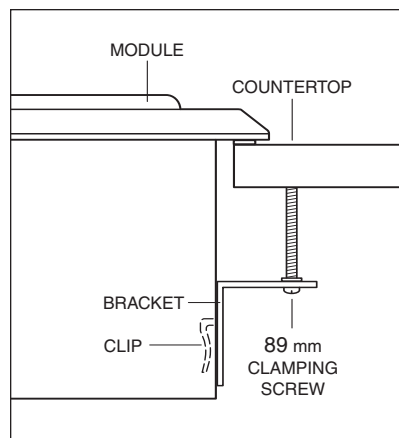
Thoroughly clean the stainless steel fryer basin, wire basket hanger and fryer baskets with mild soap and water before use.

**⚠ CAUTION**

**Never operate the fryer module without oil; damage to the unit may result. Oil must be added to the fryer basin before turning on the module.**



Foam strip



Installation brackets

**MODULE REMOVAL**

**IMPORTANT NOTE:** Removal of the fryer module should only be performed by a Wolf authorized service center technician.

If removing the fryer module is necessary for cleaning or service, first disconnect the electric supply. Remove the mounting brackets on each side of module and remove. To reinstall, refer to page 11.

**⚠ WARNING**

**The module must be disconnected from power prior to removal and service.**

**TROUBLESHOOTING**

**IMPORTANT NOTE:** If the fryer module does not operate properly, follow these troubleshooting steps:

- Verify that power is being supplied to the module.
- Check electrical connections to ensure that the installation has been completed correctly.
- Follow troubleshooting procedures as described in the Wolf Fryer Module Use & Care Information.
- If the module still does not work, contact your Wolf dealer or regional distributor. Do not attempt to repair the cooktop module yourself.



### IF YOU NEED **SERVICE**

- For service in your area, contact either your Wolf dealer or visit the Locator page of our website, **wolfappliance.com** to find the regional distributor by country.
- When calling for service, be sure to have the model and serial number of the fryer module. Both numbers are listed on the product rating plate located on the underside of the module. Refer to the illustration on page 5.

**IMPORTANT NOTE:** Installation and service must be performed by a qualified installer or service agency.

### CONTACT INFORMATION

**Website:**  
**wolfappliance.com**

The information and images are the copyright property of Wolf Appliance Company, Inc., an affiliate of Sub-Zero Freezer Company, Inc. Neither this book nor any information or images contained herein may be copied or used in whole or in part without the express written permission of Wolf Appliance Company, Inc., an affiliate of Sub-Zero Freezer Company, Inc.

©Wolf Appliance Company, Inc. all rights reserved.



**WOLF**<sup>®</sup>

INFORMACIÓN  
DE CONTACTO

**Página Web:**  
[wolfappliance.com](http://wolfappliance.com)

A medida que siga las instrucciones que aparecen en esta guía, encontrará símbolos de **AVISO** y **PRECAUCIÓN**. Estos recuadros de información son importantes para instalar el equipo de Wolf de forma segura y eficaz. Existen dos tipos de posibles riesgos que pueden producirse durante una instalación.

#### **▲ PRECAUCIÓN**

Indica una situación en la que pueden producirse daños leves o secundarios en el producto si no se siguen las instrucciones.

#### **▲ AVISO**

Indica que existe peligro de que se produzcan heridas personales graves o incluso puede provocar la muerte si no se siguen las precauciones.

Otro tipo de anotación que nos gustaría resaltar es la que se incluye en **NOTA IMPORTANTE**: En esta nota se resalta la información que resulta especialmente importante para que la instalación se realice sin problemas.



## REQUISITOS DE **INSTALACIÓN**

**NOTA IMPORTANTE:** Guarde estas instrucciones de instalación para que el inspector local pueda utilizarlas.

- Lea las instrucciones de instalación antes de llevar a cabo la instalación.
- Esta instalación debe ser realizada por un técnico cualificado.
- **Instalador:** Guarde estas instrucciones para referencia del inspector local y, a continuación, entréguelas al propietario del aparato.
- **Propietario:** Lea y guarde estas instrucciones para futuras referencias y asegúrese de leer la guía de uso y mantenimiento en su totalidad antes de utilizar la freidora.

**NOTA IMPORTANTE:** Este aparato debe ser instalado siguiendo las normativas nacionales correspondientes. Se debe aplicar al aparato el voltaje, la frecuencia y el amperaje adecuados desde una instalación eléctrica resistente con toma de tierra protegida por un fusible de retardo. El voltaje, la frecuencia y el amperaje se muestran en la placa de datos de voltaje del producto.

Apunte la referencia del modelo y los números de serie antes de instalar el módulo de la freidora. Esta información se muestra en la placa de datos de voltaje del producto situada en la parte inferior del módulo. Observe la siguiente ilustración.



**Ubicación de la placa de voltaje**

## **ANTES** DE COMENZAR

**NOTA IMPORTANTE:** La instalación y el mantenimiento deben ser realizados por un instalador cualificado o por un centro de asistencia técnica.

- La instalación del módulo de freidora debe cumplir los requisitos de distancia mínimos para que funcione de manera segura y eficaz. Consulte la sección Preparación de la zona en la página 16.
- El módulo de freidora debe instalarse en un armario de base que permita acceder a la válvula de drenaje para drenar el aceite. Consulte la sección Salida de desagüe manual en la página 18.
- Si el módulo de freidora se va a utilizar con otra combinación de módulos o unidades de cocción adicionales, consulte la sección Instalación de otras superficies de cocción en la página 18.
- La instalación eléctrica debe ser la adecuada y debe cumplir las normativas y ordenanzas nacionales sobre instalaciones eléctricas. Este aparato necesita una conexión a tierra; consulte la sección Requisitos eléctricos en la página 20.

**NOTA IMPORTANTE:** Aunque no es obligatorio, se recomienda utilizar una campana extractora con el módulo de freidora eléctrico de Wolf.

**⚠ AVISO**  
**Este módulo está diseñado para que se utilice en espacios interiores.**



**Modelo ICBIF15/S**

**Referencia del modelo**  
**ICBIF15/S**

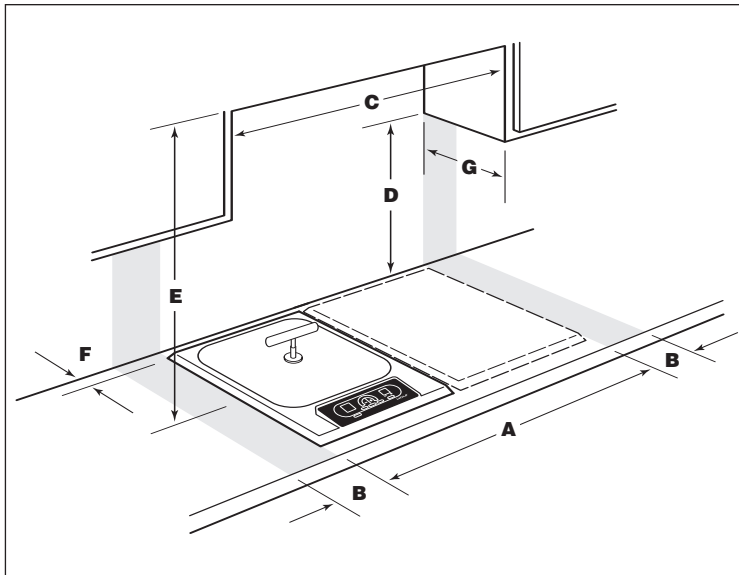
**Número de serie**

PREPARACIÓN DE LA ZONA

**NOTA IMPORTANTE:** La instalación del módulo de freidora eléctrico de Wolf debe cumplir los siguientes requisitos de colocación. Las medidas que se especifican son las mínimas para que el funcionamiento del módulo sea seguro. Observe la siguiente ilustración.

**⚠ AVISO**

Para eliminar el riesgo de sufrir quemaduras o de que se produzca un incendio al tocar las superficies calientes, debe evitar colocar armarios por encima de los módulos de superficie. Si va a colocar armarios, el riesgo se puede reducir instalando una campana de extracción que sobresalga horizontalmente un mínimo de 127 mm de la parte inferior de los armarios.



Distancias mínimas de instalación

COLOCACIÓN EN LA ENCIMERA

- A) Superficie mínima de encimera plana. Debe ser igual o superior al ancho del módulo o módulos.
- B) Espacio mínimo de 152 mm desde el borde lateral del módulo a cualquier superficie combustible situada 457 mm por encima de la encimera (área sombreada de la ilustración).

MEDIDAS DE LOS ARMARIOS SUPERIORES

- C) El espacio mínimo entre los armarios laterales superiores debe ser igual o superior al ancho nominal del módulo o módulos.
- D) Debe existir una distancia vertical mínima de 457 mm desde la encimera hasta la parte inferior de los armarios laterales con una distancia lateral mínima.
- E) La distancia vertical mínima entre la encimera y los materiales combustibles situados por encima del módulo debe ser de 762 mm.
- F) Distancia mínima de 25 mm a la pared trasera.
- G) El fondo máximo de los armarios superiores y laterales, situados en la parte superior, debe ser de 330 mm con una distancia lateral mínima.

**⚠ AVISO**

Si no coloca el módulo de freidora manteniendo las distancias de separación adecuadas, existirá riesgo de incendio.



**ESPECIFICACIONES DE LA  
INSTALACIÓN**

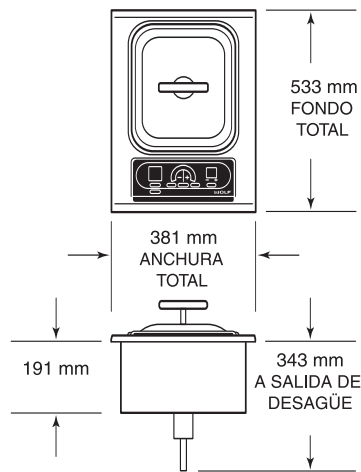
Las siguientes ilustraciones proporcionan las medidas generales, las medidas de corte acabado y la colocación de la conexión eléctrica del módulo de freidora eléctrica de Wolf.

El módulo de freidora está diseñado para que se adapte a un armario de base estándar de 610 mm de fondo con una encimera de 635 mm de fondo. Antes de cortar la encimera, compruebe que el módulo va a quedar separado de las paredes laterales del armario inferior.

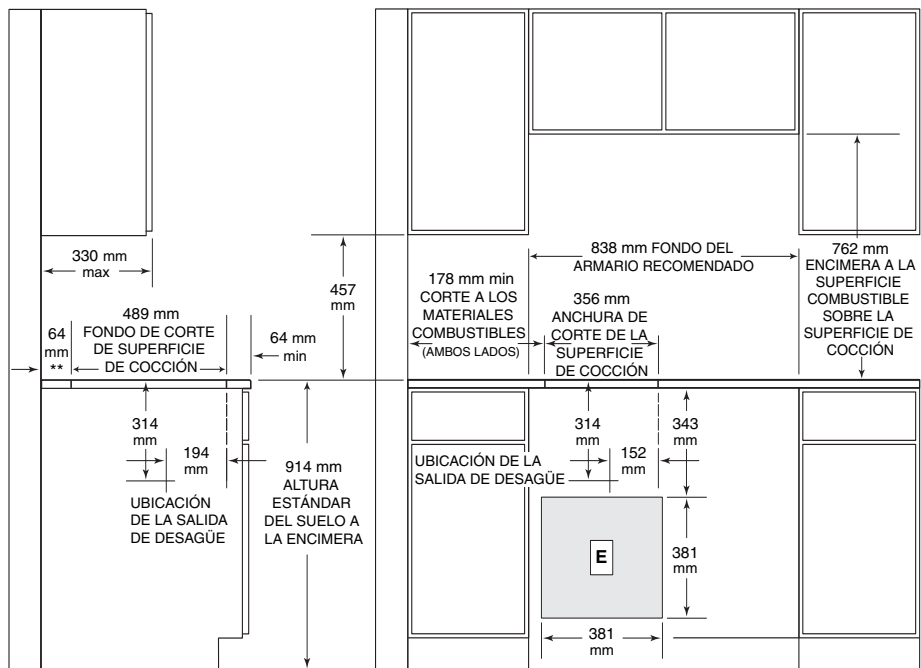
**MEDIDAS DEL MODELO ICBIFI5/S**

Anchura total	381 mm
Altura total	343 mm
Fondo total	533 mm
Fondo mínimo del armario	578 mm
Espacio mínimo de altura	343 mm
Ancho del corte	356 mm
Fondo del corte	489 mm

*Las medidas de la unidad pueden variar hasta 3 mm.*



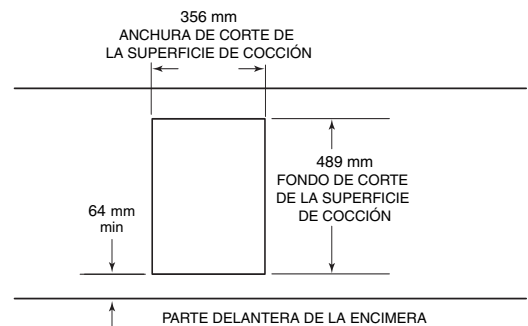
**Medidas totales**



*NOTA: La aplicación que se muestra permite la instalación de dos módulos side-by-side de 381 mm con una anchura del armario recomendada de 838 mm. Anchura recomendada del armario de 457 mm para la instalación de un módulo o superficie de cocción de 381 mm. \*Espacio mínimo desde ambos bordes laterales del corte de la superficie de cocción hasta los materiales inflamables situados a 457 mm por encima de la encimera. \*\*Espacio mínimo desde el borde trasero del corte de la superficie de cocción a materiales inflamables situados a 457 mm sobre la encimera.*

**Especificaciones de la instalación**

**Medidas de corte de la encimera**



SALIDA DE **DESAGÜE MANUAL**

**NOTA IMPORTANTE:** El módulo de freidora debe instalarse en un armario de base que permita acceder a la válvula de drenaje para drenar el aceite. Debe colocar un recipiente resistente al calor debajo de la salida de desagüe para recoger el aceite. El envase debe tener una capacidad de 7,6 L. Consulte la ilustración Especificaciones de la instalación de la página 17 para ubicar la salida del desagüe manual.

INSTALACIÓN DE **VARIAS SUPERFICIES DE COCCIÓN**

**NOTA IMPORTANTE:** Si el módulo de freidora se va a utilizar con otras combinaciones de módulos o unidades de cocción adicionales usando embellecedores, el ancho de corte se calcula sumando las medidas de corte de la unidad correspondiente y añadiendo 32 mm por cada unidad adicional.

Cuando se instalen varias unidades juntas, cada unidad debe tener su propio circuito eléctrico recomendado.

Cuando se instalen dos o más módulos juntos, se recomienda utilizar un embellecedor (IFILLER/S) de módulo integrado. Póngase en contacto con su distribuidor de Wolf para obtener información sobre los accesorios.

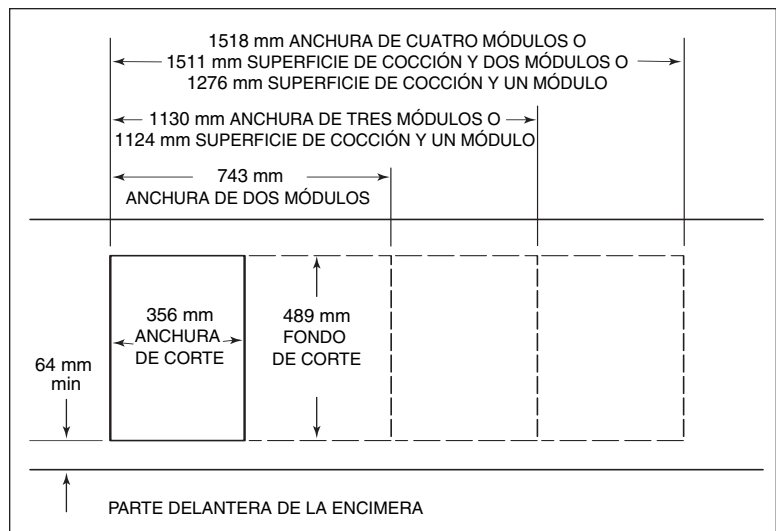
**NOTA IMPORTANTE:** Revise las instrucciones de instalación específicas para conocer las capacidades de cada uno de los productos.

**⚠ AVISO**

**Este módulo de freidora debe instalarse con una separación de al menos 381 mm con respecto a cualquier dispositivo de cocción con llama abierta. La llama puede hacer que el aceite se encienda.**

**⚠ AVISO**

**Este módulo de freidora debe instalarse manteniendo una distancia de al menos 381 mm respecto al módulo de vaporizador de Wolf ya que el contacto entre el agua y el aceite caliente puede causar quemaduras provocadas por el vapor y el aceite caliente.**



**Dimensiones de corte de la encimera para la instalación de otras superficies de cocción**

OPCIONES DE **VENTILACIÓN**

**NOTA IMPORTANTE:** Se recomienda que utilice el módulo de freidora eléctrico de Wolf con una superficie de cocción de Wolf o con un extractor de superficie o campana integrable de la serie Pro. Póngase en contacto con su distribuidor de Wolf para obtener más detalles.

- **Campana de pared** – 762 mm ó 914 mm de ancho en acero inoxidable clásico.
- **Campana isla** – 1067 mm de ancho en acero inoxidable clásico.
- **Campana de pared Pro** – 559 mm, 610 mm ó 686 mm de fondo y 762 mm a 1676 mm de ancho en acero inoxidable clásico.
- **Campana isla de Pro** - 914 mm a 1676 mm de ancho en acero inoxidable clásico.
- **Campana integrable Pro** – disponible en distintos anchos para que se pueda adaptar a campanas de 914 mm a 1524 mm.

Todas las campanas tienen uniones soldadas, lámparas halógenas herméticas y filtros extraíbles que se pueden lavar en el lavavajillas de manera segura.

**NOTA IMPORTANTE:** Wolf no recomienda utilizar el extractor de superficie con el módulo de freidora.

**NOTA IMPORTANTE:** Cuando instale una campana extractora, consulte los requisitos específicos de la campana para obtener las medidas mínimas que debe mantener respecto a la encimera.

## ACCESORIOS

**Podrá disponer de accesorios opcionales a través de su distribuidor de Wolf.**

## REQUISITOS ELÉCTRICOS

**⚠ AVISO**

**Compruebe que la unidad está desconectada de la caja de conexiones antes de continuar.**

- **Alimentación eléctrica requerida**  
230–240 V CA, 50–60 Hz, 15 amperios
- **Carga máxima conectada**  
2,6 kW

El módulo de freidora eléctrico de Wolf requiere una red eléctrica de 230–240 V CA, 50/60 Hz y 15 amperios, individual con toma a tierra con un cable de tres hilos y con su propio cortacircuitos o fusible. Debe conectar un cable apto para el voltaje correspondiente a la caja de suministro eléctrico del módulo de freidora tal y como se muestra en la siguiente ilustración. Abra la caja de suministro eléctrico para ver los tornillos con los números correspondientes. Afloje los tornillos 1, 5 y el tornillo de conexión a tierra. Pase el cable por el agujero circular e introdúzcalo en la caja de suministro eléctrico. Conecte el cable neutro en la posición número 1. El cable de línea debe conectarse en la posición número 5 y el cable de conexión a tierra en el tornillo de conexión a tierra correspondiente. Una vez que haya apretado los tornillos, cierre la tapa de la caja de suministro eléctrico asegurándose de que los cables no quedan enganchados.

Deberá cumplir las ordenanzas y normativas nacionales cuando instale el aparato.

**NOTA IMPORTANTE:** El voltaje, la frecuencia y el amperaje correctos deben suministrarse desde una red eléctrica adecuada con toma de tierra y fusible de retardo. El voltaje, la frecuencia y el amperaje correctos se muestran en la placa de datos de voltaje del producto situada en la parte inferior del módulo. Consulte la ilustración de la página 15.

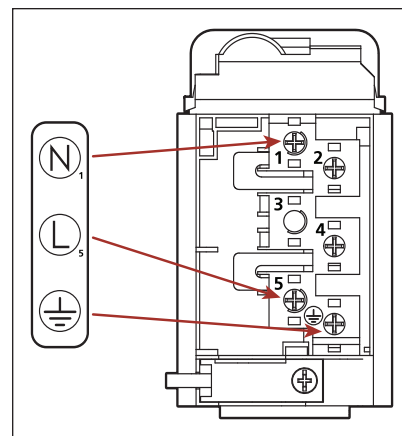
El diagrama de cableado que incluye información sobre el circuito de control está situado dentro de la caja de control del módulo.

**⚠ AVISO**

**El aparato debe estar conectado a tierra de manera correcta siempre que esté conectado a la red eléctrica.**

**Si la conexión no se realiza de manera correcta, existe riesgo de que se produzca un incendio.**

**NOTA IMPORTANTE:** Para evitar que se produzca una descarga eléctrica al desconectar el módulo de freidora, debe desconectar el aparato de la red eléctrica.



**Caja de suministro eléctrico**



## INSTALACIÓN DEL MÓDULO

Para prevenir la entrada de polución en las áreas del controlador y del transformador, coloque la tira de espuma en la parte inferior del marco del módulo. Observe la siguiente ilustración.

Con cuidado, coloque el módulo de freidora en el área cortada en la encimera y céntrelo. Compruebe que el borde delantero del módulo se coloca en paralelo al borde delantero de la encimera. Compruebe que se han dejado los espacios mínimos requeridos.

Para colocar los soportes en los laterales del módulo, inserte el fijador en el hueco rectangular de la bandeja y presione hacia abajo. Instale el tornillo de sujeción en el soporte y apriételo hasta que el tornillo toque la parte inferior de la encimera. No apriete los tornillos demasiado. Consulte la siguiente ilustración.

**NOTA IMPORTANTE:** No utilice masilla ni silicona para sellar el módulo a la encimera. La unidad debe poder desmontarse fácilmente para realizar las tareas de mantenimiento.

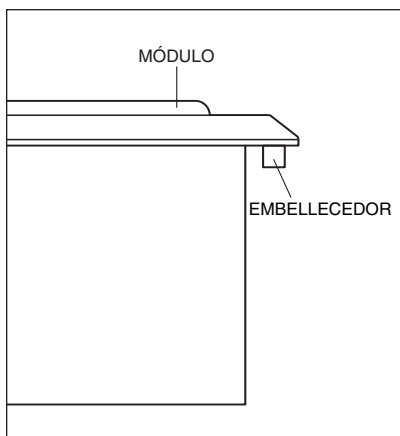
## ANTES DE UTILIZAR LA UNIDAD

Lea la guía de uso y mantenimiento del módulo de freidora de Wolf que se incluye con el módulo. Esta guía contiene información importante sobre la seguridad y el mantenimiento del módulo.

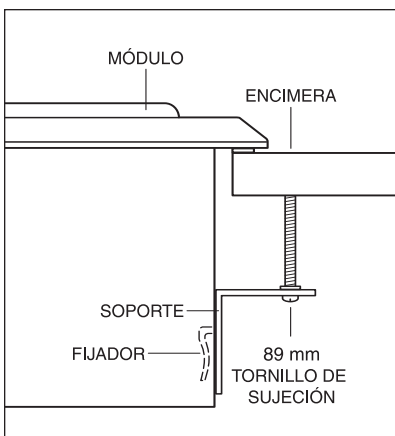
Limpie con detenimiento la cubeta de la freidora de acero inoxidable, el agarrador metálico de la cesta y las cestas de la freidora con detergente suave y agua antes de utilizarlas.

### ⚠ PRECAUCIÓN

**No ponga nunca en funcionamiento el módulo de freidora sin aceite ya que se podrían producir daños en la unidad. Debe añadir el aceite a la cubeta de la freidora antes de encender el módulo.**



**Embellecedor (tira de espuma)**



**Soportes de instalación**



### EXTRACCIÓN DEL MÓDULO

**NOTA IMPORTANTE:** La extracción del módulo de freidora debe ser llevada a cabo por un instalador cualificado o una empresa de asistencia técnica.

Si necesita quitar el módulo de freidora para limpiarlo o para realizar alguna tarea de mantenimiento, desconecte primero el aparato de la red eléctrica. Quite los soportes de montaje situados a cada lado del módulo y extráigalo. Para colocarlo de nuevo, consulte la página 21.

#### **▲ AVISO**

**Para extraerlo y realizar las tareas de mantenimiento, el módulo no debe estar conectado a la red eléctrica.**

### SOLUCIÓN DE PROBLEMAS

**NOTA IMPORTANTE:** Si el módulo de freidora no funciona correctamente, siga estos pasos de localización y solución de problemas:

- Compruebe que el módulo está conectado a la red eléctrica.
- Compruebe las conexiones eléctricas para asegurarse de que la instalación se ha llevado a cabo de manera correcta.
- Realice los procedimientos de solución de problemas tal y como se describe en la guía de uso y mantenimiento del módulo de freidora de Wolf.
- Si el módulo continúa sin funcionar, póngase en contacto con el distribuidor de Wolf o con su distribuidor más cercano. No intente realizar ninguna reparación en el módulo de freidora.



SI NECESITA **ASISTENCIA TÉCNICA**

- Para buscar el servicio técnico más cercano, póngase en contacto con su distribuidor de Wolf o visite el localizador de nuestra página Web, **wolfappliance.com**, donde encontrará los distribuidores regionales por país.
- Cuando solicite asistencia técnica, debe proporcionar la referencia del modelo y el número de serie del módulo de freidora. Esta información se muestra en la placa de datos de voltaje del producto situada en la parte inferior del módulo. Consulte la ilustración de la página 15.

**NOTA IMPORTANTE:** La instalación y las tareas de mantenimiento deben ser realizadas por un instalador cualificado o por un centro de asistencia técnica.

INFORMACIÓN  
DE CONTACTO

**Página Web:**  
**wolfappliance.com**

La información y las imágenes que se incluyen en este documento son propiedad de Wolf Appliance Company, Inc., una filial de Sub-Zero Freezer Company, Inc. Este documento junto con la información y las imágenes que en él se incluyen no pueden copiarse ni utilizarse, total ni parcialmente, sin el consentimiento por escrito de Wolf Appliance Company, Inc., una filial de Sub-Zero Freezer Company, Inc.

©Wolf Appliance Company, Inc. se reserva todos los derechos.



**WOLF**<sup>®</sup>

INFORMATION  
DE CONTACT

Site Internet :  
[wolfappliance.com](http://wolfappliance.com)

Vous remarquerez tout au long de ce manuel d'instructions les mentions **AVERTISSEMENT** et **MISE EN GARDE**, destinées à fournir des recommandations importantes afin d'assurer la sécurité et l'efficacité de l'installation de l'équipement Wolf. Deux types de dangers potentiels peuvent se présenter pendant l'installation.

#### **▲ MISE EN GARDE**

signale un danger qui pourrait causer une blessure mineure ou endommager le produit si vous ne suivez pas les instructions.

#### **▲ AVERTISSEMENT**

signale un danger qui pourrait causer des blessures graves voire fatales si vous ne prenez pas certaines précautions.

De plus, la mention **REMARQUE IMPORTANTE** met l'accent sur un renseignement particulièrement important pour assurer une installation parfaite.

## EXIGENCES RELATIVES A L'INSTALLATION

**REMARQUE IMPORTANTE :** Conservez ces instructions d'installation pour le technicien local.

- Veuillez lire les instructions d'installation dans leur intégralité avant de procéder à l'installation.
- L'installation doit être effectuée par un poseur qualifié.
- **Poseur :** Veuillez conserver ces instructions afin que le technicien puisse s'y reporter, puis laissez-les au propriétaire.
- **Propriétaire :** Veuillez lire et garder ces instructions pour pouvoir vous y reporter ultérieurement et assurez-vous de lire le Guide d'utilisation et d'entretien dans son intégralité avant d'utiliser votre appareil.

**REMARQUE IMPORTANTE :** Cet appareil doit être installé conformément aux codes locaux. La tension, la fréquence et l'ampérage appropriés doivent être fournis à cet appareil à partir d'un circuit spécial, mis à la terre et protégé par un disjoncteur ou un fusible à fusion temporisée adapté à l'intensité de courant requise. La tension, la fréquence et l'ampérage requis sont indiqués sur la plaque des caractéristiques du produit.

Consignez les numéros de modèle et de série avant d'installer la friteuse. Ces deux numéros figurent sur la plaque des caractéristiques du produit située sur le dessous de l'appareil. Reportez-vous à l'illustration ci-après.



**Emplacement de la plaque des caractéristiques**

## AVANT DE COMMENCER

**REMARQUE IMPORTANTE :** L'installation et l'entretien doivent être exécutés par un poseur qualifié ou par un organisme d'entretien.

- L'installation de la friteuse doit satisfaire aux cotes d'encastrement minimales pour assurer un fonctionnement sans danger. Reportez-vous à la section Préparation de l'emplacement figurant page 26.
- La friteuse doit être installée dans un élément de cuisine inférieur rendant l'accès au robinet de vidange manuel possible. Reportez-vous à la section Sortie de vidange manuelle, page 28.
- Si la friteuse doit être utilisée avec une quelconque combinaison d'unités de plaque de cuisson ou de modules supplémentaires, reportez-vous à la section Installation de plaques de cuisson multiples figurant à la page 28.
- L'installation électrique doit être adéquate et conforme à tous les codes et ordonnances locaux. Une mise à la terre est requise; reportez-vous à la section Configuration électrique figurant page 30.

**REMARQUE IMPORTANTE :** Une hotte de ventilation est recommandée (mais pas obligatoire) avec la friteuse électrique Wolf.

### ⚠ AVERTISSEMENT

**Ce domino de cuisson est réservé à un usage intérieur.**



**Modèle ICBIF15/S**

**Numéro de modèle  
ICBIF15/S**

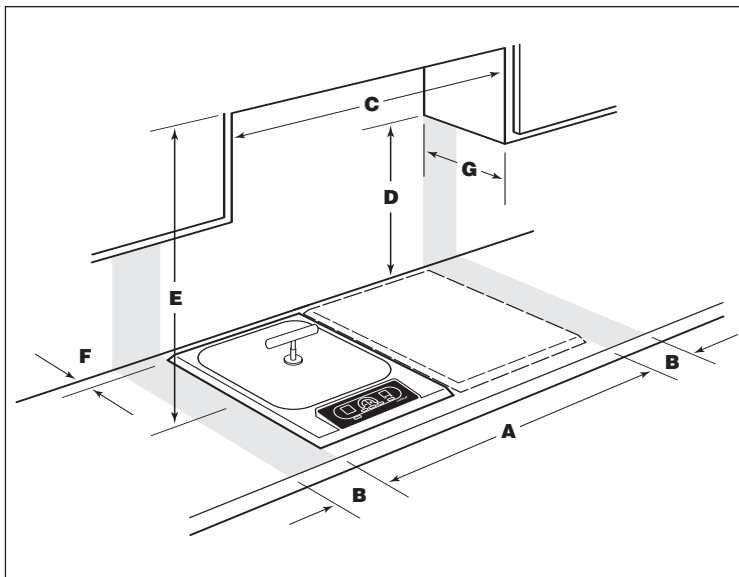
**Numéro de série**

## PREPARATION DE L'EMPLACEMENT

**REMARQUE IMPORTANTE :** L'installation de la friteuse électrique Wolf doit satisfaire aux exigences suivantes en matière d'emplacemement. Toutes les dimensions indiquées représentent les exigences minimales pour assurer une utilisation en toute sécurité. Reportez-vous à l'illustration ci-après.

**⚠ AVERTISSEMENT**

**Afin d'éliminer tout risque de brûlure ou d'incendie, nous déconseillons l'installation de placards au dessus de la friteuse. Si l'installation d'un placard est incontournable, nous vous conseillons d'ins-taller une hotte de ventilation se projetant horizontalement à une distance minimum de 127 mm au-delà des éléments de cuisine inférieurs.**



Précautions d'installation

## EMPLACEMENT DANS LE PLAN

- A)** Surface plane de plan de travail. Doit être égale ou supérieure à la largeur de(s) module(s).
- B)** Dégagement minimum de 152 mm entre le bord du module et tout autre surface de cuisson à combustible et jusqu'à 457 mm au-dessus du plan de travail (zone en gris).

## DIMENSIONS DES ELEMENTS DE CUISINE SUPERIEURS

- C)** L'espacement minimum entre les éléments latéraux supérieurs doit être supérieur ou égal à la largeur nominale de(s) module(s).
- D)** Distance verticale minimum de 457 mm du plan de travail à la base des éléments latéraux, dans le dégagement latéral minimum.
- E)** La distance verticale minimum entre le plan de travail et les matériaux combustibles au-dessus du module doit être de 762 mm.
- F)** Minimum de 25 mm du mur arrière.
- G)** Profondeur maximum de 330 mm des éléments latéraux supérieurs se trouvant directement au-dessus, dans le dégagement latéral.

**⚠ AVERTISSEMENT**

**Le non-respect des exigences d'emplacemement lors de la mise en place de la friteuse entraîne des risques d'incendie.**



SPECIFICATIONS D'INSTALLATION

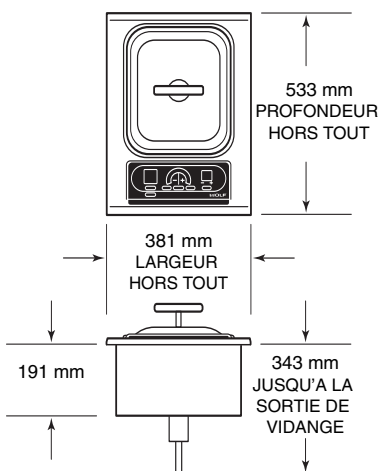
Les illustrations ci-après indiquent les dimensions hors-tout, les dimensions finies des découpes et l'emplacement de l'alimentation électrique de la friteuse Wolf.

La friteuse est conçue pour s'adapter à un élément de cuisine inférieur de profondeur standard de 610 mm dans un plan de travail de 635 mm de profondeur. Avant d'effectuer la découpe dans le plan de travail, assurez-vous que le module ne touchera pas les côtés de l'élément de cuisine inférieur.

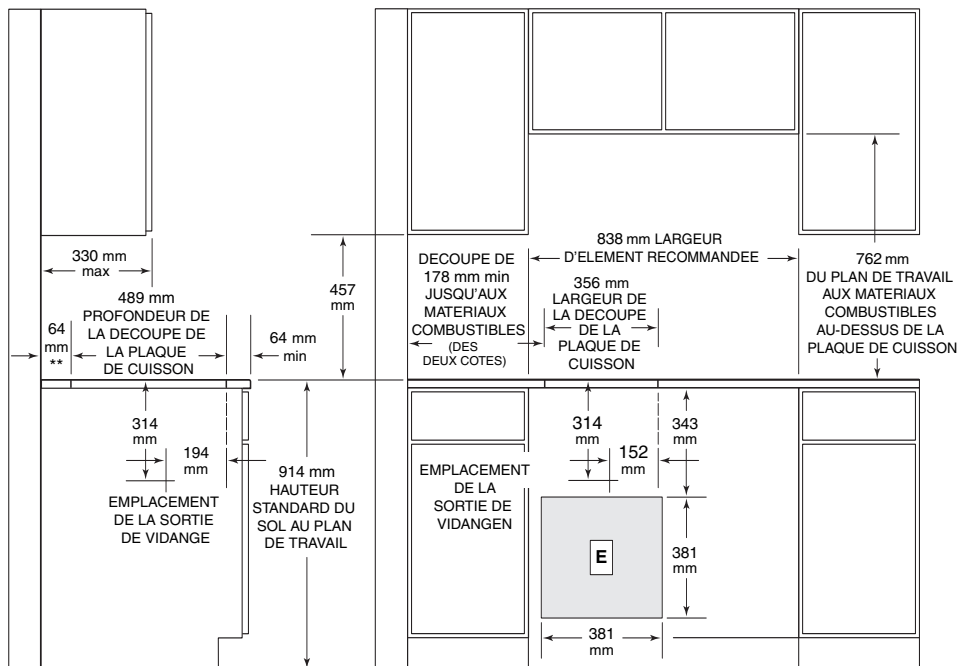
DIMENSIONS DU MODELE ICBIFI5/S

Largeur hors tout	381 mm
Hauteur hors tout	343 mm
Profondeur hors tout	533 mm
Profondeur minimum de l'élément de cuisine	578 mm
Dégagement minimum en hauteur	343 mm
Largeur de la découpe	356 mm
Profondeur de la découpe	489 mm

Les dimensions de l'appareil peuvent varier de 3 mm maximum.



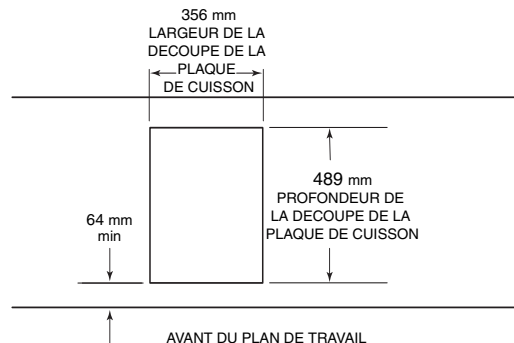
Dimensions hors-tout



REMARQUE : L'application illustrée permet l'installation de deux modules côte à côte de 381 mm avec une largeur recommandée d'élément de cuisine de 838 mm. La largeur recommandée d'élément de cuisine est de 457 mm pour l'installation d'une seule plaque de cuisson ou d'un seul module de 381 mm. \* Dégagement minimum des deux bords latéraux de la découpe de la plaque de cuisson aux matériaux combustibles jusqu'à 457 mm au-dessus du plan de travail. \* Dégagement minimum du bord arrière de la découpe de la plaque de cuisson aux matériaux combustibles jusqu'à 457 mm au-dessus du plan de travail.

Spécifications d'installation

Dimensions de la découpe dans le plan de travail



## SORTIE DE VIDANGE MANUELLE

**REMARQUE IMPORTANTE :** La friteuse doit être installée dans un élément de cuisine inférieur rendant l'accès au robinet de vidange manuel possible. Un seau résistant à la chaleur doit être placé sous la vidange. Ce seau doit pouvoir contenir 7,6 L. Pour repérer l'emplacement de la sortie de vidange manuelle, reportez-vous à l'illustration Spécifications d'installation page 27.

## INSTALLATION DE PLAQUES DE CUISSON MULTIPLES

**REMARQUE IMPORTANTE :** Si la friteuse doit être utilisée avec une combinaison d'unités de plaques de cuisson ou de modules supplémentaires et une bande de remplissage, la largeur de la découpe est obtenue en ajoutant les dimensions des découpes des unités correspondantes plus 32 mm pour chaque unité additionnelle.

Si les unités multiples sont installées côte-à-côte, chaque unité doit avoir son propre circuit électrique recommandé.

Si deux modules ou plus sont installés ensemble, l'utilisation d'une bande de remplissage intégrée (IFILLER/S) est recommandée. Pour de plus amples renseignements ou pour obtenir des accessoires, adressez-vous à votre dépositaire Wolf.

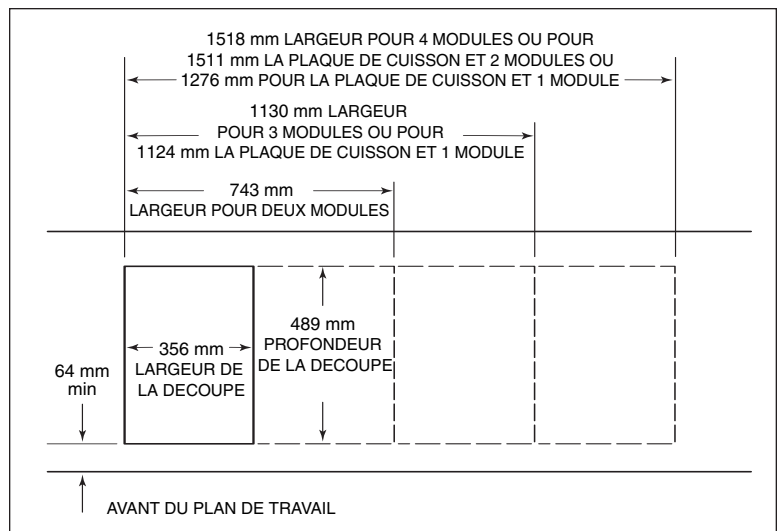
**REMARQUE IMPORTANTE :** Consultez les instructions d'installation spécifiques à chaque produit afin de déterminer leur compatibilité.

**⚠ AVERTISSEMENT**

**Cette friteuse doit être installée à une distance minimum de 381 mm de tout appareil de cuisson dégageant des flammes nues. Les flammes nues peuvent enflammer l'huile.**

**⚠ AVERTISSEMENT**

**Cette friteuse doit être installée à une distance minimum de 381 mm d'un cuit vapeur Wolf, car le contact entre l'eau du cuit vapeur et l'huile très chaude de la friteuse pourrait entraîner des brûlures.**



**Dimensions de la découpe dans le plan de travail pour l'installation des surfaces de cuisson multiples**



## OPTIONS DE VENTILATION

**REMARQUE IMPORTANTE** : Nous vous recommandons d'utiliser la friteuse électrique Wolf avec une plaque de cuisson Wolf ainsi qu'avec une hotte murale Pro ou intégrée Wolf. Pour de plus amples renseignements, adressez-vous à votre revendeur Wolf.

- **Hotte murale de plaque de cuisson** – 762 mm ou 914 mm de large en acier inoxydable Classique.
- **Hotte-îlot de plaque de cuisson** – 1 067 mm de large en acier inoxydable Classique.
- **Hotte murale Pro** – 559 mm, 610 mm ou 686 mm de profondeur et 762 mm à 1 676 mm de large en acier inoxydable Classique.
- **Hotte-îlot Pro** – 914 mm à 1 676 mm de large en acier inoxydable Classique.
- **Hotte intégrée Pro** – disponible dans des largeurs pouvant s'adapter à des hottes de 914 mm à 1 524 mm.

Toutes les hottes sont munies de joints soudés, d'un éclairage halogène scellé et amovible et de filtres lavables en machine.

**REMARQUE IMPORTANTE** : Wolf ne recommande pas l'utilisation d'une ventilation escamotable avec la friteuse.

**REMARQUE IMPORTANTE** : Lors de l'installation d'une hotte de ventilation, reportez-vous aux exigences spécifiques de la hotte pour obtenir la distance minimum jusqu'au plan de travail.

## ACCESSOIRES

**Des accessoires sont proposés en option chez votre revendeur Wolf.**

CONFIGURATION **ELECTRIQUE****⚠ AVERTISSEMENT**

**Avant de poursuivre, assurez-vous que l'alimentation est coupée à partir de la boîte de raccordement.**

- **Alimentation électrique requise**  
230 – 240 volts c.a., 50 – 60 Hz, intensité de 15 ampères
- **Charge maximum connectée**  
2,6 kW

La friteuse électrique Wolf exige une alimentation électrique distincte tripolaire et mise à la terre de 230 – 240 volts c.a., 50 – 60 Hz et d'une intensité de 15 ampères, dotée de son propre disjoncteur ou fusible. Un cordon électrique de calibre approprié doit être branché à la boîte d'alimentation de la friteuse tel qu'illustré ci-après. Ouvrez la boîte d'alimentation de façon à faire apparaître les vis avec les numéros correspondants. Desserrez les vis 1, 5 et les vis de borne de terre. Insérez le cordon dans la boîte d'alimentation en l'introduisant par l'orifice circulaire. Attachez le fil neutre à l'emplacement 1. La ligne devrait être raccordée à l'emplacement 5 et le fil de mise à la terre à la vis de borne de terre correspondante. Après avoir serré les vis, fermez le couvercle de la boîte d'alimentation en veillant à ne pincer aucun fil.

Conformez-vous aux ordonnances et aux codes locaux lorsque vous installez votre alimentation électrique.

**REMARQUE IMPORTANTE :** La tension, la fréquence et l'ampérage appropriés doivent être fournis à cet appareil par un circuit spécial mis à la terre et protégé par un disjoncteur ou un fusible à fusion temporisée adapté à l'intensité de courant voulue. La tension, la fréquence et l'ampérage requis sont indiqués sur la plaque des caractéristiques du produit située sur le dessous du module. Reportez-vous à l'illustration figurant page 25.

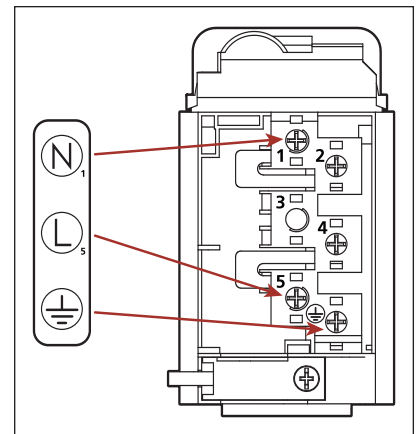
Le schéma de câblage couvrant le circuit de commande est situé dans la boîte de commande du module.

**⚠ AVERTISSEMENT**

**L'appareil au complet doit être correctement mis à la terre en tout temps lorsqu'il est sous tension.**

**Un raccordement inadéquat peut provoquer un incendie !**

**REMARQUE IMPORTANTE :** Pour éviter un choc électrique lors du débranchement de la friteuse, tous les pôles/fils doivent être débranchés de la boîte d'alimentation.



**Boîte d'alimentation**



## INSTALLATION DU MODULE

Afin d'empêcher la pollution de s'infiltrer dans la zone des commandes et du transformateur, fixez une bande de mousse sur le dessous du cadre du module. Reportez-vous à l'illustration ci-après.

Abaissez avec précaution la friteuse dans la zone découpée du plan de travail et centrez-la. Assurez-vous que le bord avant du module est parallèle au bord avant du plan de travail. Vérifiez si toutes les exigences en matière de dégagement sont satisfaites.

Pour fixer les supports sur les côtés du module, insérez l'attache dans l'orifice rectangulaire du bac et poussez. Introduisez la vis de blocage dans le support et serrez jusqu'à ce qu'elle contacte le dessous du plan de travail. Ne serrez pas trop les vis. Reportez-vous à l'illustration ci-après.

**REMARQUE IMPORTANTE :** N'utilisez pas de matériau d'étanchéité ou de silicone pour sceller le module au plan de travail. L'appareil doit pouvoir être retiré en tout temps aux fins d'entretien.

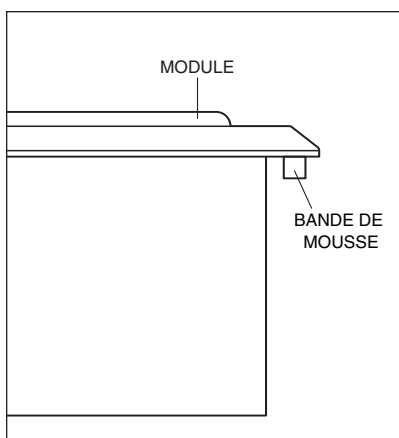
## AVANT L'UTILISATION

Lisez le Guide d'utilisation et d'entretien de la friteuse Wolf dans son intégralité. Il fournit des renseignements importants sur la sécurité et l'entretien.

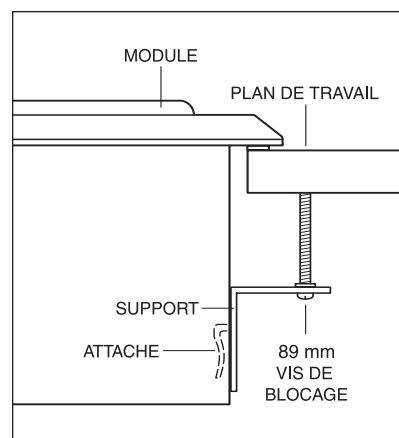
Avant d'utiliser l'appareil, nettoyez minutieusement la cuve de la friteuse en acier inoxydable, le support à panier métallique et les paniers de la friteuse avec du savon doux et de l'eau.

### ⚠ MISE EN GARDE

**Ne faites jamais fonctionner la friteuse sans huile, vous pourriez l'endommager. Avant de mettre la friteuse en marche, vous devez ajouter de l'huile dans la cuve.**



**Bande de mousse**



**Supports d'installation**



## RETRAIT DU MODULE

**REMARQUE IMPORTANTE** : Le retrait de la friteuse ne doit être effectué que par un technicien qualifié ou par une antenne de service.

Si la friteuse doit être retirée pour être nettoyée ou dépannée, coupez tout d'abord l'alimentation électrique. Enlevez les supports de fixation se trouvant de chaque côté du module et retirez la friteuse. Pour la réinstaller, reportez-vous à la page 31.

### ▲ AVERTISSEMENT

**L'alimentation électrique du module doit être coupée avant le retrait et le dépannage de celui-ci.**

## DEPISTAGE DES PANNES

**REMARQUE IMPORTANTE** : Si la friteuse ne fonctionne pas correctement, suivez les étapes de dépiantage des pannes suivantes :

- Vérifiez si l'alimentation électrique est fournie au module.
- Vérifiez les branchements électriques afin de vous assurer que l'installation a été effectuée correctement.
- Suivez les procédures de dépiantage des pannes décrites dans le Guide d'utilisation et d'entretien de la friteuse Wolf.
- Si le module ne fonctionne toujours pas, contactez votre revendeur ou votre distributeur régional Wolf. N'essayez pas de réparer vous-même le module de cuisson.



## SERVICE APRES-VENTE

- Pour obtenir les coordonnées de votre service après-vente local, adressez-vous à votre revendeur Wolf ou consultez la page "Locator" de notre site Web, **wolfappliance.com**, pour trouver les coordonnées des distributeurs régionaux par pays.
- Lorsque vous contactez le service après-vente, assurez-vous de disposer des numéros de modèle et de série de la friteuse. Ces deux numéros figurent sur la plaque des caractéristiques du produit située sur le dessous de l'appareil. Reportez-vous à l'illustration figurant page 25.

**REMARQUE IMPORTANTE** : L'installation et l'entretien doivent être exécutés par un poseur qualifié ou par une antenne technique de service.

## INFORMATION DE CONTACT

**Site Internet :**  
**wolfappliance.com**

Les informations et les images contenues dans ce guide sont protégées par des droits d'auteur et sont la propriété de Wolf Appliance Company, Inc., une filiale de Sub-Zero Freezer Company, Inc. Ce guide et les informations et images qu'il contient ne peuvent être copiés ou utilisés, en partie ou en totalité, sans l'autorisation écrite expresse de Wolf Appliance Company, Inc., filiale de Sub-Zero Freezer Company, Inc.

© Wolf Appliance Company, Inc. tous droits réservés



**WOLF**<sup>®</sup>

INFORMAZIONI  
PER I CONTATTI

**Sito Web:**  
[wolfappliance.com](http://wolfappliance.com)

Man mano che seguite queste istruzioni, noterete dei simboli di **AVVERTENZA** ed **ATTENZIONE**. Queste informazioni evidenziate sono importanti per l'installazione sicura ed efficiente dell'apparecchiatura Wolf. Durante l'installazione sarete esposti a due potenziali pericoli.

#### **▲ ATTENZIONE**

segnala una situazione con possibili lesioni minori o danni al prodotto qualora non ci si attenga a queste istruzioni.

#### **▲ AVVERTENZA**

indica un pericolo che potrebbe causare gravi lesioni o morte, qualora non ci si attenga alle precauzioni.

Un'altra nota in calce che vorremmo identificare è **NOTA IMPORTANTE**: evidenzia informazioni di particolare importanza per un'installazione senza problemi.

## REQUISITI PER L'INSTALLAZIONE

**NOTA IMPORTANTE:** conservare queste istruzioni per l'installazione per l'installatore.

- Leggere tutte le istruzioni prima dell'installazione.
- Questa installazione deve essere completata da un tecnico qualificato.
- **Installatore:** conservare queste istruzioni come riferimento, quindi lasciarle al proprietario dell'abitazione.
- **Proprietario dell'abitazione:** leggere e conservare queste istruzioni come riferimento futuro e verificare di aver letto tutte le informazioni per l'utilizzo e la manutenzione prima dell'uso.

**NOTA IMPORTANTE:** questo elettrodomestico deve essere installato in conformità ai codici locali. All'elettrodomestico devono essere forniti i valori corretti di tensione, frequenza e amperaggio da un circuito dedicato collegato a terra, protetto da un interruttore di circuito di dimensioni appropriate o da un fusibile ritardato. I valori corretti di tensione, frequenza e amperaggio sono elencati sull'etichetta identificativa del prodotto.

Registrare il modello e i numeri di matricola prima di installare la friggitrice. Entrambi i numeri sono elencati sull'etichetta identificativa del prodotto, che si trova sul lato inferiore del piano. Vedere l'illustrazione che segue.



**Posizione dell'etichetta riportante i valori nominali**

## PRIMA DI INIZIARE

**NOTA IMPORTANTE:** l'installazione e la manutenzione devono essere eseguite da un installatore o centro di assistenza qualificati.

- L'installazione della friggitrice deve soddisfare i requisiti minimi di spazio libero per un utilizzo sicuro. Fare riferimento a Preparazione del sito a pagina 36.
- La friggitrice va installata in un mobile di base che consenta l'accesso alla valvola di spurgo manuale per far fuoriuscire l'olio. Consultare la sezione Punto di spurgo manuale a pagina 38.
- Se la friggitrice deve essere utilizzata con qualsiasi combinazione di unità o piani di cottura aggiuntivi, consultare la sezione Installazione di più piani di cottura a pagina 38.
- L'installazione elettrica deve essere adeguata e conforme a tutti i codici e ordinanze locali. Il collegamento elettrico alla massa è necessario, fare riferimento a Requisiti elettrici a pagina 40.

**NOTA IMPORTANTE:** per l'utilizzo della friggitrice Wolf, si consiglia una cappa di ventilazione (non obbligatoria).

**⚠ AVVERTENZA**

**Questo piano è previsto per l'utilizzo al chiuso.**



**Modello ICBIF15/S**

**Numero del modello**

**ICBIF15/S**

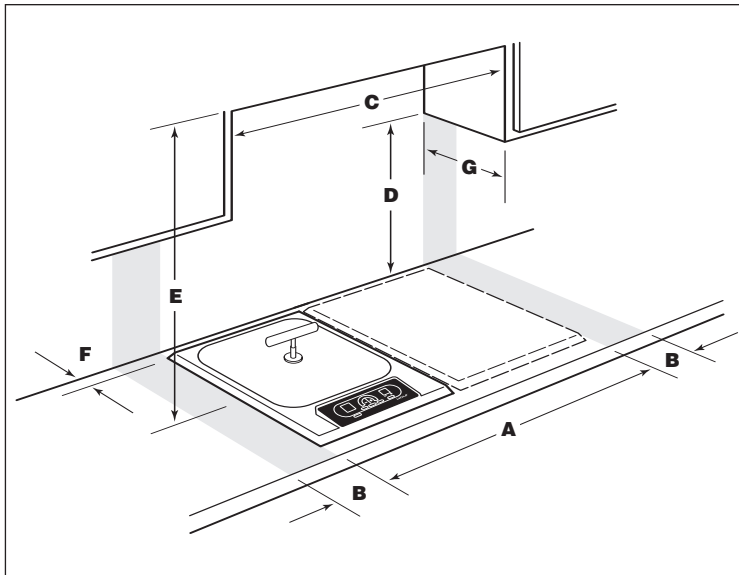
**Numero di matricola**

## PREPARAZIONE DEL SITO

**NOTA IMPORTANTE:** l'installazione della friggitrice elettrica Wolf deve soddisfare i seguenti requisiti per la scelta dell'ubicazione. Tutte le dimensioni elencate sono requisiti minimi per il funzionamento sicuro. Vedere l'illustrazione che segue.

**⚠ AVVERTENZA**

**Per eliminare il rischio di ustioni o di incendi in prossimità delle superfici riscaldate, va evitato di predisporre dei pensili al di sopra del piano di cottura. Se è necessario comunque predisporre un pensile, il rischio può essere ridotto installando una cappa di ventilazione che si proietti orizzontalmente di almeno 127 mm oltre gli armadietti inferiori.**



Spazi liberi minimi per l'installazione

## POSIZIONE SUL PIANO DI LAVORO

- A)** Superficie minima del piano di lavoro. Deve essere maggiore o uguale alla larghezza dei piani.
- B)** Spazio libero minimo di 152 mm dal bordo laterale del piano a qualsiasi superficie combustibile fino a 457 mm al di sopra del piano di lavoro (evidenziato dall'area ombreggiata).

## DIMENSIONI DEL PENSILE

- C)** Lo spazio minimo tra i mobili laterali deve essere maggiore o uguale alla larghezza nominale dei piani.
- D)** Distanza verticale minima di 457 mm dal piano di lavoro al fondo dei mobili laterali entro lo spazio libero laterale minimo.
- E)** La distanza verticale minima tra il piano di lavoro e i materiali combustibili al di sopra del piano di cottura deve essere di 762 mm.
- F)** Almeno 25 mm dalla parete posteriore.
- G)** Profondità massima di 330 mm dei pensili e dei mobili laterali direttamente al di sopra ed entro lo spazio libero laterale.

**⚠ AVVERTENZA**

**La collocazione del piano di cottura senza i corretti spazi liberi comporta un pericolo di incendio.**



SPECIFICHE PER L'INSTALLAZIONE

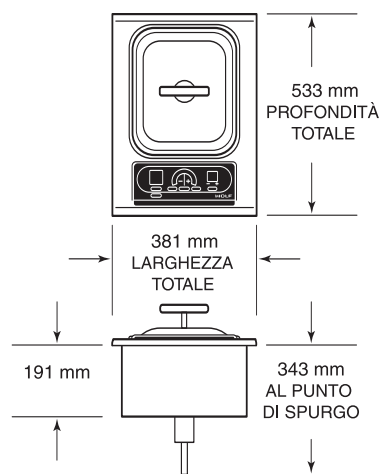
Le illustrazioni che seguono forniscono le dimensioni complessive, le dimensioni del vano incasso e il posizionamento della presa di corrente per la friggitrice elettrica Wolf.

La friggitrice è concepita per essere inserita in un mobile standard con base profonda 610 mm con un ripiano profondo 635 mm. Prima di realizzare il vano incasso sul piano di lavoro, verificare che il piano lasci libere le pareti laterali del mobile di base sotto.

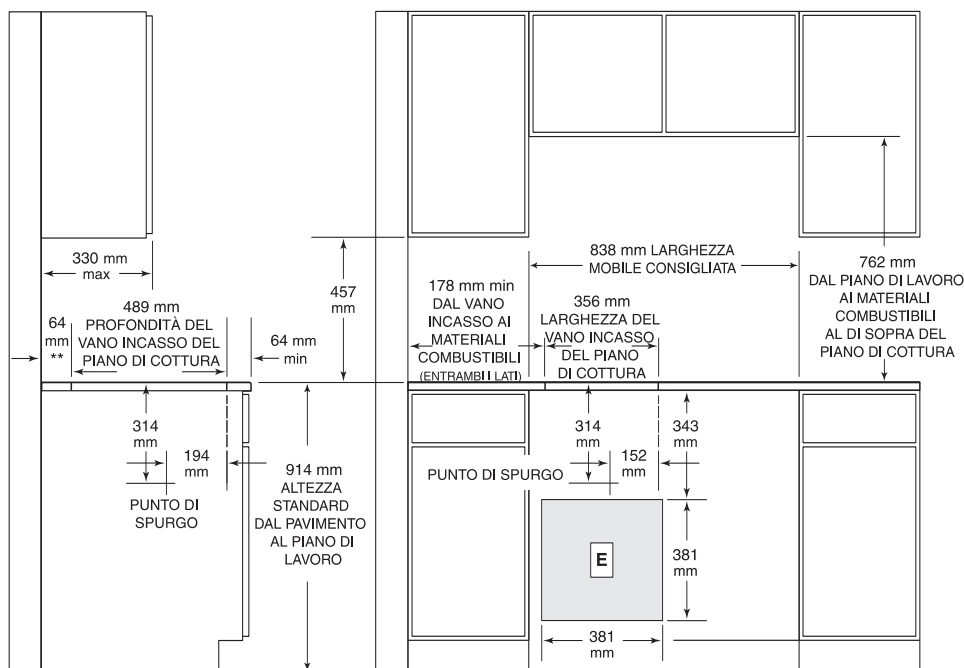
MODELLO ICBIFI5/S DIMENSIONI

Larghezza totale	381 mm
Altezza totale	343 mm
Profondità totale	533 mm
Profondità minima del mobile	578 mm
Spazio libero minimo in altezza	343 mm
Larghezza del vano incasso	356 mm
Profondità del vano incasso	489 mm

Le dimensioni delle unità potrebbero variare fino a 3 mm.



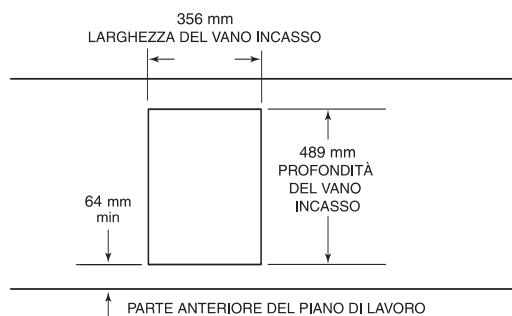
Dimensioni d'ingombro



NOTA: l'applicazione mostrata consente l'installazione di due piani da 381 mm affiancati con larghezza consigliata del mobile di 838 mm. 457 mm consigliati per la larghezza del mobile per l'installazione di un ripiano o modulo di cottura singolo da 381 mm. NOTA: la friggitrice va installata in un mobile di base con accesso alla valvola manuale alla base dell'unità per far uscire l'olio in un contenitore resistente al calore. \*Spazio libero minimo da entrambi i bordi laterali del vano incasso del piano di cottura ai materiali combustibili fino a 457 mm al di sopra del piano di lavoro. \*\*Spazio libero minimo dal bordo posteriore vano incasso del piano di cottura ai materiali combustibili fino a 457 mm al di sopra del piano di lavoro.

Specifiche dell'installazione

Dimensioni del vano incasso sul piano di lavoro





## PUNTO DI SPURGO MANUALE

**NOTA IMPORTANTE:** la friggitrice va installata in un mobile di base che consenta l'accesso alla valvola di spurgo manuale per far fuori-uscire l'olio. Posizionare sotto il punto di presa un secchio resistente al calore per raccogliere l'olio. Il secchio deve poter contenere 7,6 L. Consultare la sezione Specifiche dell'installazione, illustrazione a pagina 37 per la posizione del punto di spurgo manuale.

## INSTALLAZIONE CON PIÙ PIANI DI COTTURA

**NOTA IMPORTANTE:** se la friggitrice deve essere utilizzata con una combinazione di altri piani o piani di cottura o moduli utilizzando il kit di separazione, la larghezza del vano incasso è calcolata aggiungendo le dimensioni corrispondenti del vano incasso dell'unità più 32 mm per ciascuna unità aggiuntiva.

Quando più unità sono installate affiancate, ciascuna unità deve avere il proprio circuito elettrico dedicato separato.

Quando due o più moduli sono installati insieme, si consiglia l'utilizzo del kit di separazione del piano (IFILLER/S). Per ulteriori informazioni sugli accessori, rivolgersi al proprio rivenditore Wolf.

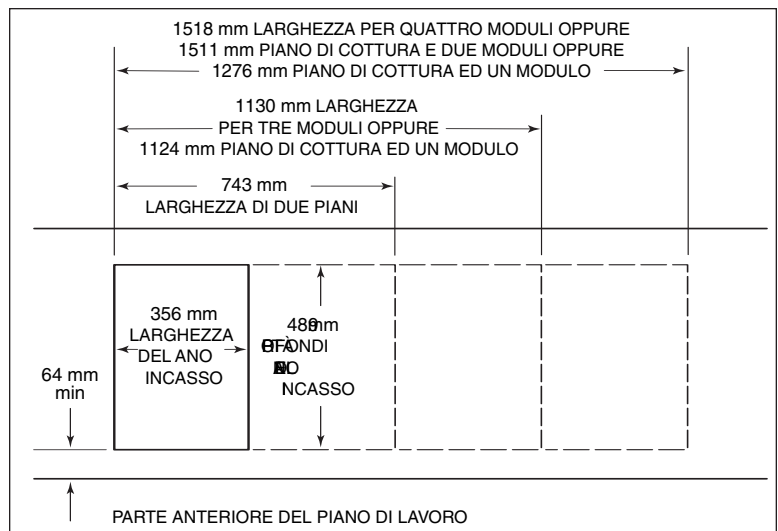
**NOTA IMPORTANTE:** Rivedere le specifiche istruzioni di installazione per ogni singolo prodotto.

### ⚠ AVVERTENZA

**Questa friggitrice va installata ad almeno 381 mm da qualsiasi attrezzo di cottura a fiamma aperta. La fiamma aperta potrebbe causare l'accensione dell'olio.**

### ⚠ AVVERTENZA

**Questa friggitrice va installata ad almeno 381 mm da unità Wolf per la cottura a vapore, poiché il contatto tra acqua ed olio bollente potrebbe causare ustioni dal vapore e dall'olio.**



**Dimensioni del vano incasso del piano di lavoro per l'installazione di più piani di cottura**

OPZIONI DI **VENTILAZIONE**

**NOTA IMPORTANTE:** si consiglia di utilizzare la friggitrice elettrica Wolf con un piano di cottura Wolf o una cappa di ventilazione Wolf serie Pro o un rivestimento per cappa. Rivolgersi al rivenditore Wolf per dettagli.

- **Cappa a parete per piano di cottura –** Larghezza di 762 mm o 914 mm in classico acciaio inox.
- **Cappa per isola di cottura –** Larghezza di 1067 mm in classico acciaio inox.
- **Cappa a parete Pro –** Profondità di 559 mm, 610 mm o 686 mm e larghezza da 762 mm a 1676 mm in classico acciaio inox.
- **Cappa per isola Pro –** Larghezza da 914 mm a 1676 mm in classico acciaio inox.
- **Rivestimento per cappa Pro –** Disponibile in larghezze per cappe da 914 mm a 1524 mm.

Tutte le cappe hanno giunzioni saldate, illuminazione alogena sigillata e filtri rimovibili, lavabili in lavastoviglie.

**NOTA IMPORTANTE:** Wolf non consiglia l'utilizzo delle cappe downdraft con una friggitrice.

**NOTA IMPORTANTE:** quando si installa una cappa di ventilazione, fare riferimento ai requisiti specifici della cappa per la dimensione minima al piano di lavoro.

## ACCESSORI

**Gli accessori opzionali sono disponibili attraverso il rivenditore Wolf.**

REQUISITI **ELETTRICI****⚠ AVVERTENZA**

**Prima di procedere, controllare che l'alimentazione sia scollegata dalla scatola di derivazione.**

- **Alimentazione elettrica richiesta**  
230–240 V c.a., 50–60 Hz, servizio da 15 amp
- **Carico massimo connesso**  
2,6 kW

La friggitrice elettrica Wolf richiede un servizio separato da 15 amp, a 3 fili con messa a terra, 230–240 V c.a., 50–60 Hz, servizio da 15 amp, con il proprio interruttore automatico o fusibile. Un cavo dal valore nominale adeguato va collegato alla scatola di alimentazione elettrica del modulo per la friggitrice come mostrato nell'illustrazione seguente. Aprire la scatola di alimentazione per esporre le viti con i numeri corrispondenti. Allentare le viti 1, 5 e di massa. Fare correre il cavo attraverso il foro circolare e nella scatola di alimentazione elettrica. Collegare il filo neutro alla posizione numero 1. Collegare il filo di linea alla posizione 5 e collegare il filo di messa a terra alla vite di messa a terra corrispondente. Dopo aver serrato le viti, chiudere il coperchio della scatola di alimentazione elettrica senza schiacciare alcuno dei fili.

Nell'installazione del servizio è necessario rispettare tutti i codici e le ordinanze locali.

**NOTA IMPORTANTE:** all'elettrodomestico devono essere forniti i valori corretti di tensione, frequenza e amperaggio da un circuito dedicato collegato a terra, che è protetto da un interruttore di circuito di dimensioni appropriate o da un fusibile ritardato. I valori corretti di tensione, frequenza e amperaggio sono elencati sull'etichetta identificativa del prodotto, che si trova sul lato inferiore del piano. Fare riferimento all'illustrazione a pagina 35.

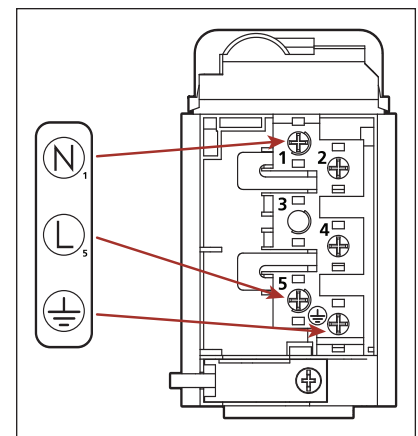
Lo schema elettrico del circuito di controllo si trova all'interno della scatola di controllo del modulo.

**⚠ AVVERTENZA**

**Tutto l'elettrodomestico deve essere sempre correttamente collegato a terra quando è applicata la corrente elettrica.**

**Una connessione impropria può comportare pericolo di incendio!**

**NOTA IMPORTANTE:** per evitare scosse elettriche quando si scollega la friggitrice, tutti i poli/fili devono essere scollegati dalla scatola di alimentazione elettrica.



**Scatola di alimentazione elettrica**

**INSTALLAZIONE DEL PIANO**

Per evitare l'inquinamento dovuto all'ingresso di sporco nel controller e nel trasformatore, fissare la striscia di schiuma al lato inferiore del telaio del modulo. Vedere l'illustrazione che segue.

Abbassare delicatamente la friggitrice nell'area del vano incasso del piano di lavoro e centrare. Controllare che il bordo anteriore del piano di cottura sia parallelo al bordo anteriore del piano di lavoro. Controllare che siano rispettati tutti gli spazi liberi richiesti.

Per collegare le staffe ai lati del piano, inserire il fermaglio nel foro rettangolare nella vasca di raccolta e spingere verso il basso. Installare la vite di blocco nella staffa e serrare fino a quando la vite non venga a contatto col lato inferiore del piano di lavoro. Non serrare eccessivamente le viti. Vedere l'illustrazione che segue.

**NOTA IMPORTANTE:** non utilizzare stucco né silicone per sigillare il piano di cottura al piano di lavoro. L'unità deve essere prontamente rimovibile per l'assistenza.

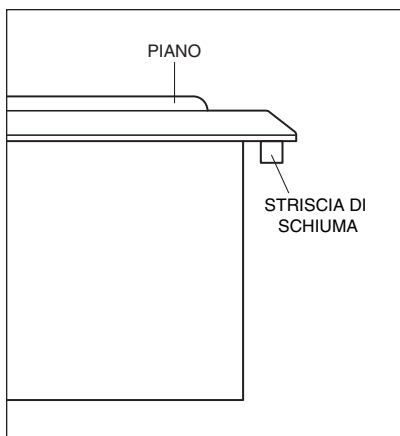
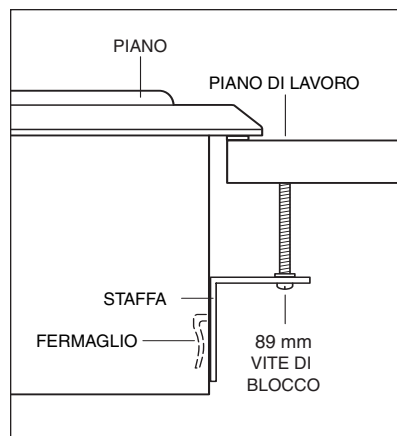
**PRIMA DELL'USO**

Leggere tutte le informazioni per l'uso e la manutenzione della friggitrice Wolf, incluse con il modulo. Nel manuale sono contenute importanti informazioni relative alla sicurezza ed all'assistenza.

Prima dell'uso pulire con cura la base della friggitrice in acciaio inox, il gancio del cestello metallico ed i cestelli della friggitrice con sapone neutro ed acqua.

**ATTENZIONE**

**Non azionare mai la friggitrice senza olio, onde evitare danni all'unità. L'olio va aggiunto alla base della friggitrice prima di accendere l'unità.**

**Striscia di schiuma****Staffe di installazione**



## RIMOZIONE DEL PIANO

**NOTA IMPORTANTE:** la rimozione della friggitrice va eseguita solo un installatore o da un centro di servizio qualificato.

Se la rimozione della friggitrice è necessaria per la pulizia o l'assistenza, scollegare prima l'alimentazione elettrica. Rimuovere le staffe di montaggio su ciascun lato del piano. Per reinstallarle, fare riferimento a pagina 41.

### **⚠ AVVERTENZA**

**Il piano deve essere scollegato dall'alimentazione prima della rimozione e dell'assistenza.**

## SOLUZIONE DEI PROBLEMI

**NOTA IMPORTANTE:** se la friggitrice non funziona correttamente, seguire questi passaggi per la risoluzione dei problemi:

- Verificare che al piano sia fornita alimentazione.
- Controllare le connessioni elettriche per accertarsi che l'installazione sia stata completata correttamente.
- Seguire le procedure per la soluzione dei problemi come descritte nelle informazioni per l'uso e la manutenzione della friggitrice.
- Se il modulo continua a non funzionare, rivolgersi al proprio rivenditore o distributore di zona Wolf. Non tentare di riparare da soli il piano di cottura.



SE È NECESSARIA **ASSISTENZA**

- Per l'assistenza in zona, rivolgersi al proprio rivenditore Wolf o visitare la pagina di ricerca del nostro sito Web, **wolfappliance.com**, per trovare i distributori di zona in base al Paese.
- Quando si chiama per assistenza, fare riferimento al numero di modello e serie del modulo per la friggitrice. Entrambi i numeri sono elencati sull'etichetta identificativa del prodotto, che si trova sul lato inferiore del piano. Fare riferimento all'illustrazione a pagina 35.

**NOTA IMPORTANTE:** l'installazione e la manutenzione vanno eseguite da un installatore o centro di assistenza qualificati.

INFORMAZIONI  
PER I CONTATTI

**Sito Web:**  
**wolfappliance.com**

Le informazioni e le immagini sono protette da copyright della Wolf Appliance Company, Inc., una consociata della Sub-Zero Freezer Company, Inc. Questo documento e le informazioni o immagini qui contenute non potranno essere copiate o usati, in parte o nella loro interezza, senza l'esplicito consenso scritto della Wolf Appliance Company, Inc., una consociata della Sub-Zero Freezer Company, Inc.

©Wolf Appliance Company, Inc. Tutti i diritti riservati.

WOLF APPLIANCE COMPANY, INC.

PO BOX 44848

MADISON, WI 53744 USA

WOLFAPPLIANCE.COM