

PRO 48
INSTALLATION INSTRUCTIONS

PRO48 INSTRUCCIONES DE INSTALACIÓN

PRO48 INSTRUCTIONS D'INSTALLATION

PRO48 ISTRUZIONI PER L'INSTALLAZIONE







ENGLISH

PRO 48 Installation Recommendations	5
PRO 48 Overall Dimensions	6
PRO 48 Installation Specifications	8
PRO 48 Installation Instructions	10
PRO 48 Installation Checklist	20
PRO 48 Service Information	21

ESPÁNOL

Recomendaciones para la instalación del PRO 48	23
Medidas generales del PRO 48	24
Especificaciones de la instalación del PRO 48	26
Instrucciones de instalación del PRO 48	28
Lista de comprobación de la instalación del PRO 48	37
Información de mantenimiento del PRO 48	39

FRANÇAIS

PRO 48 - Recommandations d'installation	41
PRO 48 - Dimensions hors-tout	42
PRO 48 - Spécifications d'installation	44
PRO 48 - Instructions d'installation	46
PRO 48 - Liste de contrôle de l'installation	56
PRO 48 - Service après-vente	57

ITALIANO

Consigli per l'installazione del modello PRO 48	59
Dimensioni d'ingombro del modello PRO 48	60
Specifiche per l'installazione del modello PRO 48	62
Istruzioni per l'installazione del modello PRO 48	64
Check list per l'installazione del modello PRO 48	74
Informazioni per l'assistenza del modello PRO 48	75

PRO
48



As you follow these instructions, you will notice **WARNING** and **CAUTION** symbols. This blocked information is important for the safe and efficient installation of Sub-Zero equipment. There are two types of potential hazards that may occur during installation.

⚠ CAUTION

signals a situation where minor injury or product damage may occur if you do not follow instructions.

⚠ WARNING

states a hazard that may cause serious injury or death if precautions are not followed.

Another footnote we would like to identify is **IMPORTANT NOTE**: This highlights information that is especially relevant to a problem-free installation.



INSTALLATION RECOMMENDATIONS

The importance of the Sub-Zero PRO 48 installation cannot be overemphasized. The installation procedure should be completed by a qualified installer.

Before you begin the installation process, it is recommended that you read this entire Installation Instructions book. There are key details that you should take special care to observe during the installation. By reading these instructions carefully, you will make the installation process easier, problem-free and, most importantly, safe.

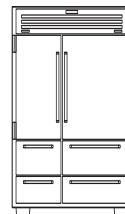
The installation process is identical for both the Model ICB648PROG which features a glass door on the upper refrigerator compartment and Model ICB648PRO with a solid door.

Any questions or problems about the installation should be directed to your Sub-Zero dealer or go to the locator page of our website, subzero.com, to find the regional distributor by country.

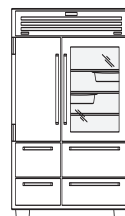
TOOLS AND MATERIALS REQUIRED

The following is a list of tools and materials that should be available for proper installation of the PRO 48.

- Phillips screwdriver set
- Slotted screwdriver set
- Torx drive screwdriver set
- 1200 mm of 6,35 mm copper tubing and saddle valve for the water line—part #4200880 (do not use self-piercing valves)
- Copper tubing cutter
- Level—0,6 m and 1,2 m recommended
- Appliance Dolly able to support 454 kg and adequate manpower to handle the weight of the unit
- Various sized pliers
- Wrench set
- Allen wrench set
- 11 mm hex bolt nut driver
- Crescent wrenches
- Cordless drill and assorted drill bits
- Masonite, plywood, 3,175 mm pressed fiberboard, cardboard or other suitable material to protect finished flooring
- Appropriate materials to cover and protect the home and its furnishings during installation



Model ICB648PRO



Model ICB648PROG with Glass Door



PRO 48 OVERALL DIMENSIONS

OVERALL DIMENSIONS

MODELS ICB648PRO AND ICB648PROG

Overall Width	1219 mm
Overall Height	2134 mm
Depth from behind Face Frame (standard installation)	606 mm
Depth to front of Face Frame (flush installation)	657 mm
Depth to Handles	766 mm
Door Clearance (refrigerator)	730* mm
Door Clearance (freezer)	521* mm
Shipping Weight – ICB648PRO	401 kg
Shipping Weight – ICB648PROG	408 kg

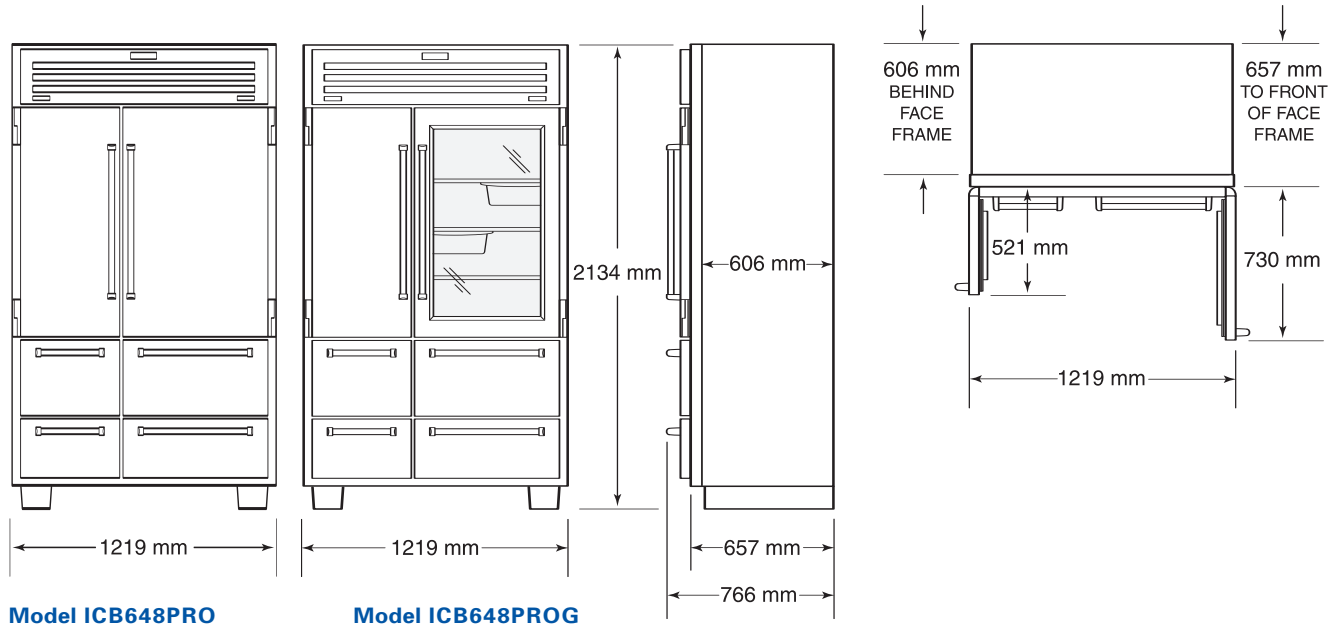
**Door clearance from front of face frame, add 51 mm depth of face frame for standard installation.*

Dimensions may vary by ± 3 mm.

IMPORTANT NOTE: Model ICB648PROG features a glass door on the upper refrigerator compartment and Model ICB648PRO has a solid door. All overall dimensions and installation dimensions are identical for each of the PRO 48 units.

OVERALL DIMENSIONS

Front, side and top dimensions for Models ICB648PRO and ICB648PROG.





INSTALLATION SPECIFICATIONS

The PRO 48 can be used free-standing or installed as a standard or flush built-in application. For standard built-in installations, the face frame of the unit will extend 51 mm beyond cabinetry. In flush built-in installations, the front of the face frame will be flush with surrounding cabinetry.

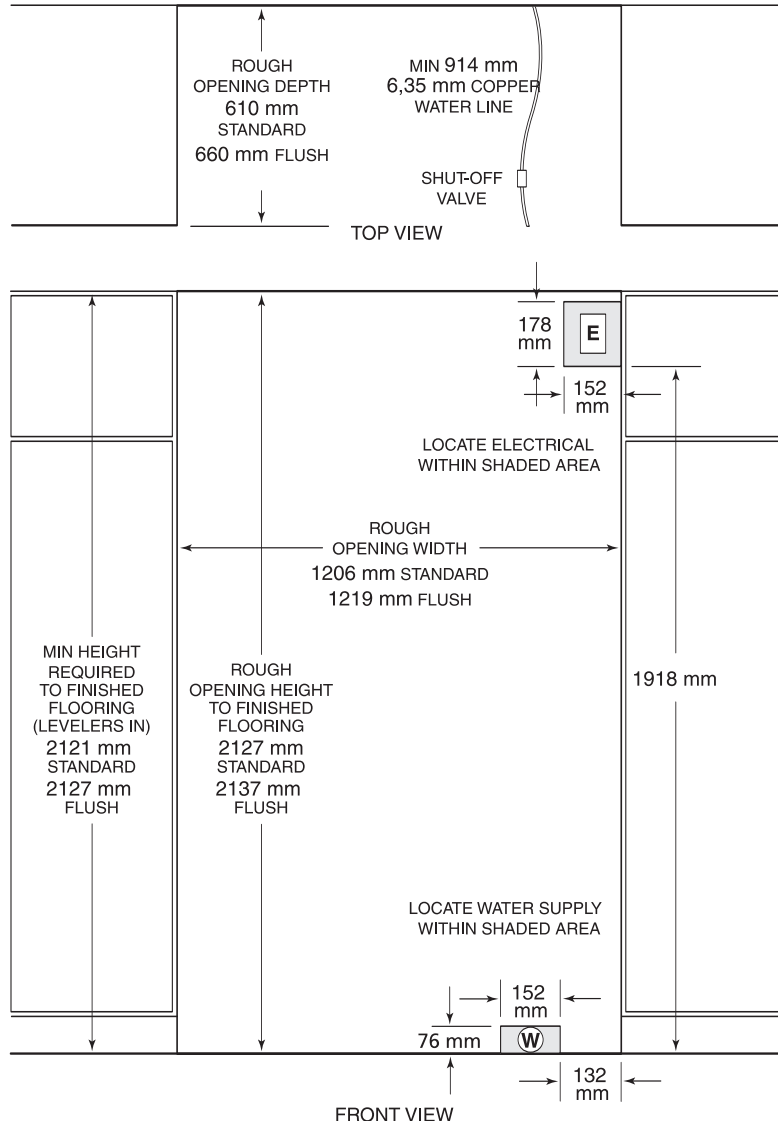
For built-in installations, make sure that the finished rough opening where the unit is to be installed is properly prepared. Refer to the Installation Specifications illustration to be sure that the rough opening dimensions, electrical service and plumbing are correct.

IMPORTANT NOTE: To operate properly, doors must be able to open a minimum of 90°. Use a filler strip in built-in corner installations to assure a 90° door opening. Allow enough clearance in front of the unit for full door swing.

IMPORTANT NOTE: Make sure that the floor under the unit is level with the surrounding finished floor and will be able to support the weight of the unit—401 kg or 408 kg.

INSTALLATION SPECIFICATIONS

Standard or flush installation for Models ICB648PRO and ICB648PROG.



MODELS ICB648PRO AND ICB648PROG

Rough Opening Width (standard installation)	1206 mm
Rough Opening Width (flush installation)	1219 mm
Rough Opening Height (standard installation)	2127 mm
Rough Opening Height (flush installation)	2137 mm
Minimum Height Required (to finished flooring)	2121 mm
Rough Opening Depth (standard installation)	610 mm
Rough Opening Depth (flush installation)	660 mm

Dimensions are for finished rough openings.

ELECTRICAL REQUIREMENTS

A 220-240 V AC, 50/60 Hz, 10 amp circuit breaker and electrical supply are required. A separate circuit, servicing only this appliance, is required. Locate the electrical outlet within the shaded area indicated in the Installation Specifications illustration on the previous page.

The PRO 48 is equipped with a detachable power supply cord with a 3-prong grounding plug, which must be plugged into a mating 3-prong grounding-type wall receptacle. Follow local codes and ordinances when installing the receptacle.

IMPORTANT NOTE: A ground fault circuit interrupter (GFCI) is not recommended and may cause interruption of operation.

IMPORTANT NOTE: The PRO 48 is equipped with an appliance inlet type device. This allows easy replacement of the power cord. The appliance inlet is located on top of the unit on the compressor shroud.

⚠ WARNING

Do not use an extension cord or two prong adapter. Electrical ground is required on this appliance. Do not remove the power supply cord ground prong.

⚠ CAUTION

The outlet must be checked by a qualified electrician to be sure that it is wired with the correct polarity. Verify that the outlet provides 115 volts and is properly grounded.

⚠ WARNING

Always shut power off at the circuit breaker before performing any installation, service or maintenance.



Electrical Shock Hazard

Plug power cord directly into properly grounded 3-prong outlet.
Do not remove third prong.
Do not use adapter or extension cord.
Failure to follow these instructions could cause serious injury or death.

See installation instructions



PLUMBING REQUIREMENTS

The PRO 48 has an automatic ice maker. This system operates on water pressure between 1.4 bar and 8.3 bar.

Rough in the cold water supply line using 6,35 mm OD copper line. The water line should be routed up through the floor within 13 mm from the back wall and no higher than 76 mm off the floor. If you have to come through the wall, make sure the water line is no more than 76 mm from the floor.

Regardless of the routing, allow .9 m of excess copper tubing to remain outside the wall or floor for easy connection to the unit. Locate the water supply line within the shaded area indicated in the Installation Specifications illustration on the previous page.

Use an easily accessible shut-off valve between the water supply and the unit. Do not use self-piercing valves. A saddle valve kit (part #4200880) is available from your Sub-Zero dealer.

It is not recommended that the ice maker be connected to a softened water supply. Water softener chemicals, such as salt from a malfunctioning softener, can damage the ice maker and lead to poor ice quality. If a softened water supply cannot be avoided, be sure that the water softener is well maintained and operating properly.

IMPORTANT NOTE: Do not use with water that is microbiologically unsafe or of unknown water quality without adequate disinfection before or after the system. Systems certified for cyst reduction may be used on disinfected waters that may contain filterable cysts.

IMPORTANT NOTE: All installations must meet local plumbing code requirements.

IMPORTANT NOTE: A reverse osmosis system can be used, provided there is constant water pressure of 1.4 bar to 8.3 bar supplied to the unit at all times.

UNPACKING THE PRO 48

Uncrate the unit and inspect for any damages. Remove the wood base and discard the shipping bolts and brackets that hold the wood base to the bottom of the unit. Tip the unit slightly to each side to remove styrene pads under the base. Remove and discard all packing materials.

IMPORTANT NOTE: Do not discard the kick-plate, anti-tip bracket and hardware or corner protectors. These items will be needed for installation.

REMOVING THE GRILLE

In order to prevent damage to the grille, the top grille assembly should be removed prior to moving the unit.

To remove the grille assembly, pull out on the bottom edge of the grille and tilt the grille frame forward. Disconnect the low-voltage cable which connects the exterior temperature displays on the grille to the display module, and cut the two white cable ties which attach the network cable to the right grille support. These cables ties should be replaced once the unit is properly installed with the extra cable ties provided in this package. Remove the three 11 mm bolts from base of the grille. Remove the screw from the upper grille area to remove the grille assembly. Refer to the illustration below.

ANTI-TIP BRACKET INSTALLATION

ANTI-TIP HARDWARE INCLUDED

12	12 x 63.5 mm PN HD Wood Screw	6201190
3	9,52 mm x 95,25 mm Trubolt Anchor	6110620
12	#12 flat washer	6240040
3	#8-18 x 31,75 mm AB PH HD Screw	6201520
3	Nylon Zip-It Wall Anchor	6160390

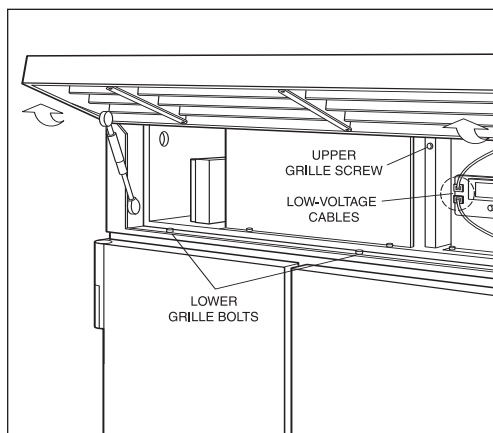


TIP-OVER HAZARD

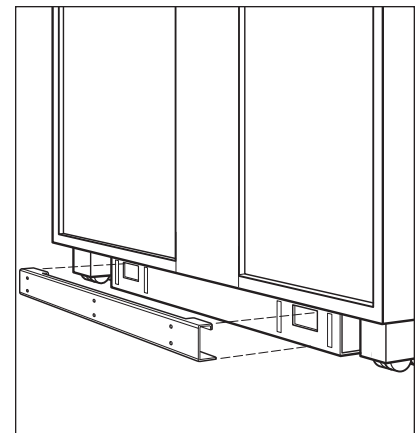
To prevent tipover of appliance, install anti-tip device and extend front levelers to floor, according to installation instructions.

Failure to install according to instructions can result in serious injury or death.

See installation instructions.



Removing the grille



Anti-tip bracket alignment

IMPORTANT NOTE: Placement of the anti-tip bracket is critical to a stable installation. It must be installed exactly 660 mm from the front of the face frame of the unit to the back of the anti-tip bracket. Also, the centering line on the lower flange of the anti-tip bracket must be centered in the rough opening. Failure to properly position the anti-tip bracket will prevent it from engaging the unit. Be sure that the anti-tip bracket is installed on a solid base. Refer to the illustrations below.

IMPORTANT NOTE: For a stable installation, be sure to use all anti-tip bracket hardware as instructed for wood or concrete floors to properly secure the bracket.

⚠ WARNING

To prevent the PRO 48 from tipping forward and provide a stable installation, the unit must be secured in place with the anti-tip bracket shipped with the unit

WOOD FLOOR APPLICATIONS

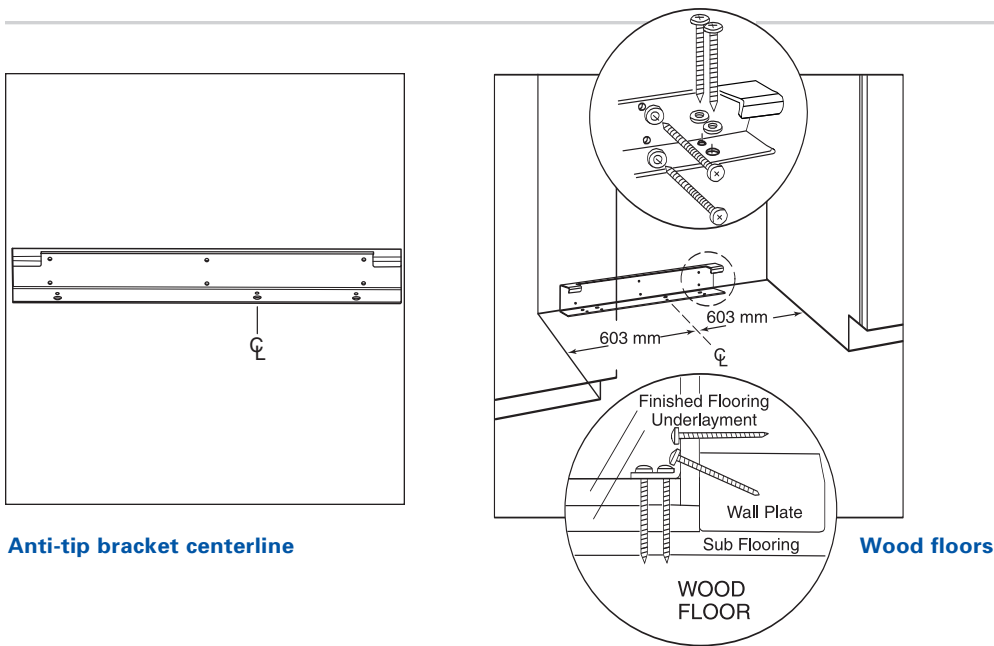
Use the twelve #12 x 51mm wood screws and the twelve #12 flat washers provided. Drill pilot holes 5 mm diameter maximum and be sure that the screws penetrate through the flooring material and into the wall plate a minimum of 19. Be sure that the screws hold tight. Refer to the illustration below.

IMPORTANT NOTE: If the wood screws do not hit a wall stud in any of the upper holes on the anti-tip bracket, use the provided #8-18 x 31,75 mm wood screw, #12 flat washer and nylon zip-it wall anchor in its place.

IMPORTANT NOTE: In some installations the subflooring or finished floor may necessitate angling the wood screws used to fasten the anti-tip bracket to the back wall. Refer to the illustration below.

⚠ WARNING

Make sure that there are no electrical wires or plumbing in the area which the screws could penetrate.



Anti-tip bracket centerline

Wood floors

ANTI-TIP BRACKET INSTALLATION

CONCRETE FLOOR APPLICATIONS

Use the three 10 x 95,25 mm concrete wedge anchors, six #12 x 63,5 mm wood screws and six #12 flat washers provided. Be sure that the anchors and screws hold tight. Refer to the illustration below.

IMPORTANT NOTE: If the wood screws do not hit a wall stud in any of the upper holes on the anti-tip bracket, use the provided #8-18 x 31,75 mm wood screw, #12 flat washer and nylon zip-it wall anchor in its place.

IMPORTANT NOTE: In some installations the subflooring or finished floor may necessitate angling the wood screws used to fasten the anti-tip bracket to the back wall. Refer to the illustration below.

⚠ WARNING

Make sure that there are no electrical wires or plumbing in the area which the screws could penetrate.

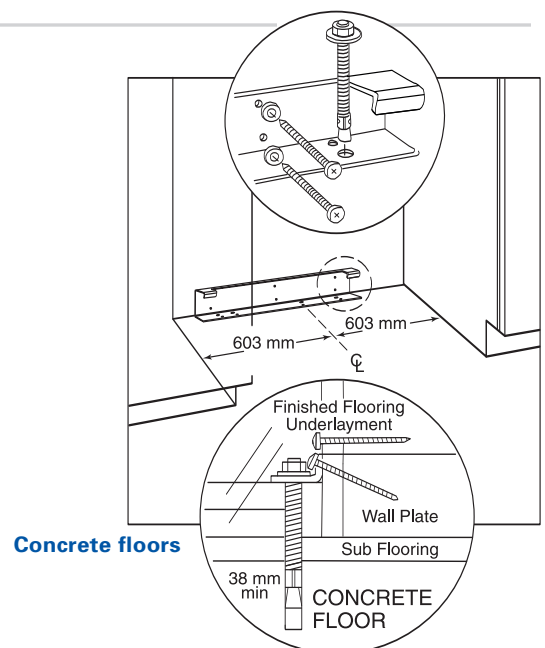
INSTALL CONCRETE WEDGE ANCHORS

- 1) Drill a 10 mm diameter hole any depth exceeding the minimum embedment. Clean the hole or continue drilling additional depth to accommodate drill fines. Use a carbide drill bit.
- 2) Assemble the washer and nut flush with the end of anchor to protect threads. Drive the anchor through the material to be fastened until the washer is flush with the surface material.
- 3) Expand the anchor by tightening the nut 3-5 turns past hand-tight position or to 25 foot-pounds of torque.

⚠ CAUTION

Always wear safety glasses and use other necessary protective devices or apparel when installing or working with anchors.

Anchors are not recommended for use in lightweight masonry material such as block or brick, or for use in new concrete which has not had sufficient time to cure. The use of core drills is not recommended to drill holes for the anchors.



Concrete floors

MOVING THE PRO 48

After you've completed the steps for unpacking the PRO 48 and have removed the grille and installed the anti-tip bracket, carefully move the unit onto an appliance dolly. When securing the unit on the appliance dolly, use the corner protectors retained from the packaging under the strapping to avoid damage to the stainless steel exterior. Also, secure the doors and drawers closed with the strapping. Refer to the illustration below for proper placement of the appliance dolly.

IMPORTANT NOTE: Protect the surrounding finished flooring with masonite, plywood, 3 mm pressed fiberboard or other suitable material before moving the unit across it.

Carefully move the PRO 48 into place near the rough opening and move it off of the appliance dolly. The PRO 48 is equipped with rollers, so it can be moved into position more easily.

Retract the front leveling legs all the way up to allow the unit to be moved into position more easily. You will extend the front leveling legs down and adjust once the unit is in position.

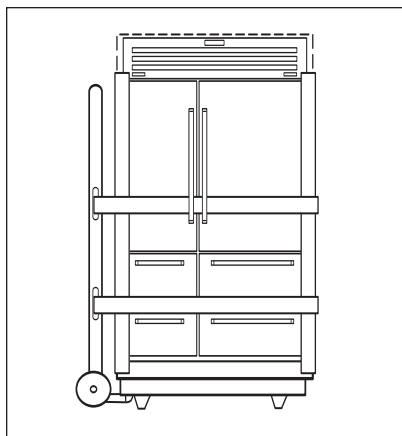
IMPORTANT NOTE: The rear levelers must be in their lowest position in order to push the unit back into the rough opening. Therefore, leveling cannot be completed until the unit is in position.

Shut off power to the wall outlet. Plug the power supply cord into the 10 amp grounded outlet and roll the unit into position. Be sure that the anti-tip bracket is properly engaged.

IMPORTANT NOTE: If for any reason the unit has been laid on its back or side, you must allow the unit to stand upright for a minimum of 24 hours before connecting power.

⚠ WARNING

The PRO 48 is very heavy – 401 kg or 408 kg – be sure to have adequate manpower when moving and positioning the unit. Secure doors and drawers closed before moving the unit.



Proper placement of appliance dolly

WATER LINE CONNECTION

Approximately 0,9 m of 6,35 mm plastic tubing is connected to the ice maker with a preassembled 6,35 mm compression connection at the end. This tubing is located under the unit.

The water line fitting connection kit, provided with the unit, contains a 6,35 mm compression sleeve and a 6,35 mm compression nut for connection to the household water line. Place the compression nut and sleeve on the water line and fasten to the connection at the end of the tubing under the unit. Do not over tighten. Check all water line fittings for leaks. Make sure that the drain pan can be installed or removed without any water line interference.

IMPORTANT NOTE: Be sure to purge the water line prior to final connection to the unit. This will remove any debris that may be present in the tubing from installing the new water line.

IMPORTANT NOTE: Let your customer know that the ice maker will not produce ice immediately, and that the first bucket of ice produced should be discarded. Allow 48 hours of ice production, before discarding the first bucket of ice.

LEVELING THE UNIT

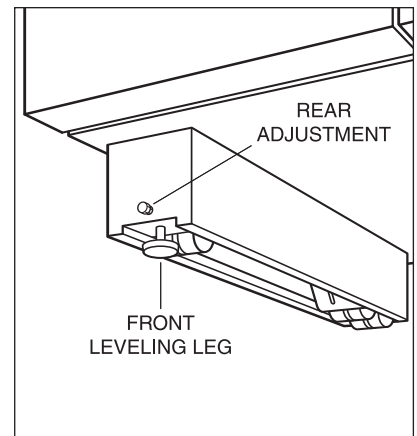
Once the unit is in position, extend the front leveling legs down by turning the legs counterclockwise and adjust the height. The rear height adjustment can be made from the front of the base. Use a 8 mm socket to adjust the rear rollers. Turn the 8 mm hex bolt clockwise to raise the unit or counterclockwise to lower it.

When the unit is leveled properly, or squared off, door and/or drawer adjustments are less likely to be necessary. Refer to the illustration below for location of the rear roller base adjustment.

IMPORTANT NOTE: Be sure to reference leveling of the unit to the floor and not to surrounding cabinetry. This could affect the operation of the unit, such as doors not closing properly.

INSTALL THE KICKPLATE

To install, screw the kickplate to brackets attached to the inside surface of each roller base.



Rear roller base adjustment

DOOR ADJUSTMENT

Check to make sure that both doors are properly adjusted. If not, adjustments can be made to the cabinet and door hinges.

IMPORTANT NOTE: Be sure the unit is properly leveled before doing any cabinet or door hinge adjustment.

CABINET HINGE ADJUSTMENT

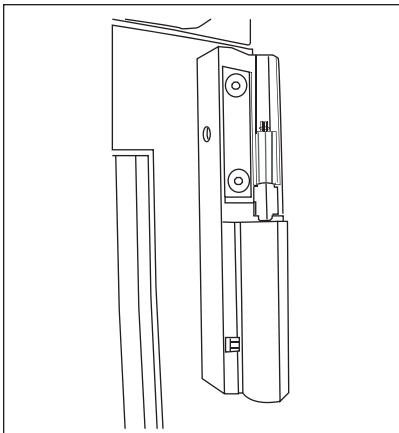
The door must be removed to adjust cabinet hinges. To remove the door, lift up the vent portion of the top grille, open the door to about 45° and lift the door off the cabinet hinges. Remove the hinge pins.

Loosen the two cabinet hinge fasteners $\frac{1}{4}$ to $\frac{1}{2}$ turn. Refer to the illustration below. Reinstall hinge pins and door. Open the door and using the Allen wrench provided, turn the adjustment screw to relocate the cabinet hinge. Close the door and check alignment. Repeat these steps until the door is properly aligned.

Remove the door and hinge pins again and tighten the two cabinet hinge fasteners. Reinstall hinge pins and door and close the vent portion of the top grille.

⚠ CAUTION

Hinge pins may stick in the door rather than the cabinet hinge and may fall out of the door after a few seconds, which could cause damage to floors or injury.



Cabinet hinge adjustment

DOOR ADJUSTMENT

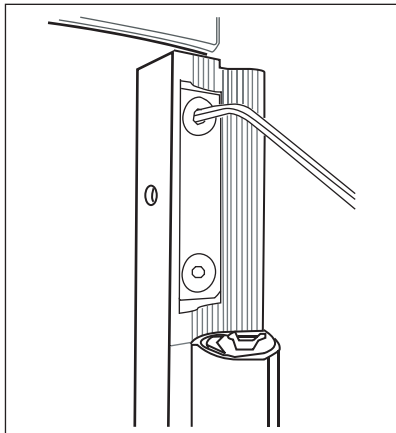
DOOR HINGE ADJUSTMENT

The door must be removed to adjust door hinges. To remove the door, lift up the vent portion of the top grille, open the door to about 45° and lift the door off the cabinet hinges. Remove the hinge pins.

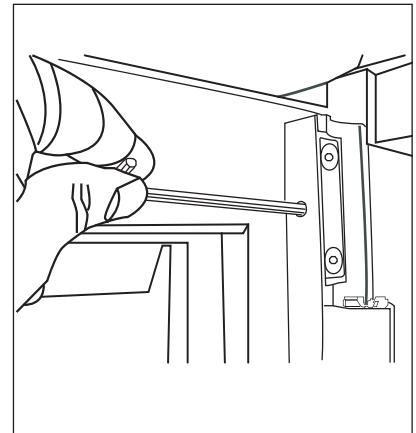
Loosen the two door hinge fasteners, slide hinge to the desired position and retighten the fasteners. Refer to the illustrations below. Reinstall hinge pins and door. Check alignment and door seal. Close the vent portion of the top grille.

⚠ CAUTION

When adjusting cabinet and door hinges, it is important to keep the hinges parallel to the face of the door and side of the cabinet. The door switch will not function if the hinges are excessively misaligned, which will cause the lights to stay on and the fan to not operate. This will result in elevated cabinet temperatures. After hinge adjustments are made, check that the door switch is functioning properly.



Door hinge adjustment



Door hinge adjustment

DRAWER ADJUSTMENT

Check to make sure that all drawers are properly adjusted. If not, vertical and horizontal adjustments can be made to the drawers.

VERTICAL ADJUSTMENT

The drawer must be removed to make vertical adjustments. To remove the drawer, pull the drawer all the way out until it stops, lift up evenly on both sides of the drawer front and pull out.

Loosen the three drawer slide mounting fasteners. Using a 11 mm open-end wrench, turn the adjustment fastener to the desired position and retighten the fasteners. Refer to the illustration below.

To reinstall the drawer, raise the front of the drawer and place onto the drawer slide tracks. Be sure to engage the front of the drawer slide with the drawer assembly.

Check alignment of the automatic drawer closer. If the closer catch does not align with the closer pin, adjust the position of the auto-close mechanism.

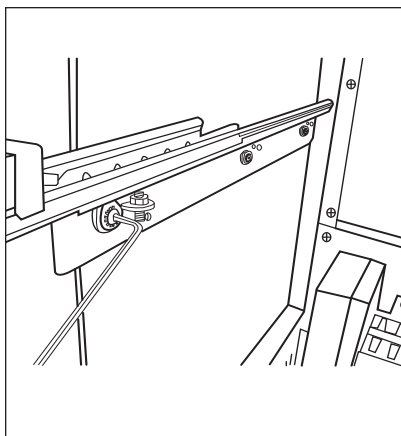
HORIZONTAL ADJUSTMENT

The drawer must be removed to make horizontal adjustments. To remove the drawer, pull the drawer all the way out until it stops, lift up evenly on both sides of the drawer front and pull out.

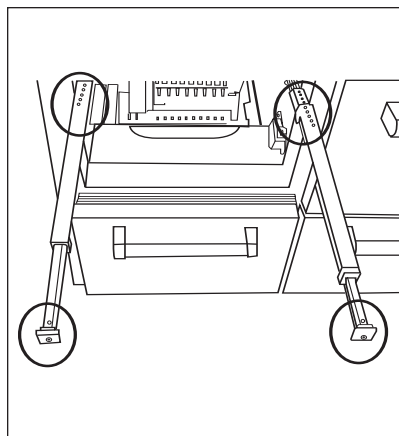
Loosen the screws on the front two slides, then move adjustments blocks to the desired position and retighten the screws. Refer to the illustration below.

Release the rear adjustment block by disengaging the snaps. Move the block forward to shift drawer to the right and back to shift drawer to the left. Each position will move the drawer 0,8 mm. Refer to the illustration below. Snap the block over the pins located on the rear adjuster. Both sides should be moved in the same direction.

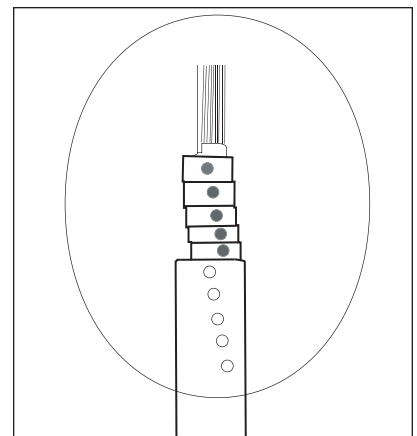
To reinstall the drawer, raise the front of the drawer and place onto the drawer slide tracks. Be sure to engage the front of the drawer slide with the drawer assembly.



Vertical drawer adjustment



Horizontal drawer adjustment



Horizontal drawer adjustment



INSTALLATION CHECKLIST

The importance of the installation of the Sub-Zero PRO 48 cannot be overemphasized. Proper installation is the responsibility of the selling dealer or installer.

IMPORTANT NOTE: To ensure a safe and proper installation, the following checklist should be completed by the installer to ensure that no part of the installation has been overlooked.

Any questions or problems about the installation should be directed to your Sub-Zero dealer or go to the locator page of our website, subzero.com, to find the regional distributor by country.

INSTALLATION CHECKLIST

- Has the packing material been removed?
- Has any damage to stainless steel been noted?
- Turn the unit on. Is it operating properly? If not, is the unit plugged in? Is the control button turned on?
- Is the water supply line connected and not leaking?
- Has anti-tip bracket been installed securely?
- Is the unit leveled properly on a solid, level floor?
- Has the drain pan been installed properly?
- Is the kickplate installed?
- Are the grille screws back in position?
- Are the doors and drawers adjusted for proper operation, sealing and alignment? Does either door need a 90° door stop?
- Does your customer understand the unit's operation?
- Is the water supply turned on and ice maker switch on?



SERVICE INFORMATION

If you need service, be sure to have the model and serial number when you call. You'll find these numbers on the model and serial number plate located on the left side of the top freezer drawer compartment.

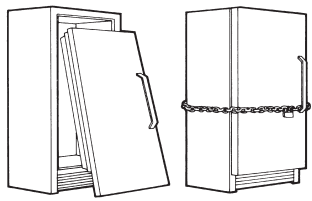
For service in your area, contact either your Sub-Zero dealer or go to the locator page of our website, subzero.com, to find the regional distributor by country.

⚠ WARNING

If you are storing or disposing of your old refrigerator or freezer, please do it safely. Remove the doors or tightly secure the doors closed. Child entrapment accidents can be tragic.

SIDE AND TOP PANELS

Accessory stainless steel side and top panels are available through your Sub-Zero dealer. Installation instructions are included with the panels.



90 DEGREE DOOR STOP

The doors of PRO 48 models open to 135 degrees. An optional 90° door stop kit is available through your Sub-Zero dealer.

The information and images in this book are the copyright property of Sub-Zero Freezer Company, Inc. Neither this book nor any information or images contained herein may be copied or used in whole or in part without the express written permission of Sub-Zero Freezer Company, Inc.

©Sub-Zero Freezer Company, Inc. all rights reserved.

PRO
48



A medida que siga estas instrucciones, encontrará símbolos de PRECAUCIÓN y AVISO. Esta información es importante para instalar el equipo de Sub-Zero de forma segura y eficaz. Existen dos tipos de riesgos potenciales que pueden surgir durante la instalación.

▲ PRECAUCIÓN

indica una situación en la que se pueden producir heridas personales leves o daños secundarios al producto si no se siguen las instrucciones.

▲ AVISO

indica peligro de que se produzcan heridas personales graves o incluso puede provocar la muerte si no se siguen las precauciones.

Otro tipo de información que deberá observar con atención es la que se incluye en **NOTA IMPORTANTE**: En esta nota se resalta la información que resulta especialmente importante para que la instalación se pueda realizar sin problemas.

RECOMENDACIONES DE **INSTALACIÓN**

La instalación del PRO 48 de Sub-Zero es de suma importancia. El procedimiento de instalación debe ser realizado por un instalador cualificado.

Antes de comenzar el proceso de instalación, se recomienda que lea con detenimiento la guía de instrucciones de instalación. Durante la instalación, existe información importante a la que debe prestar especial atención. Si lee estas instrucciones con detenimiento, podrá llevar a cabo el proceso de instalación de forma fácil, sin problemas y, lo que es más importante, de forma segura.

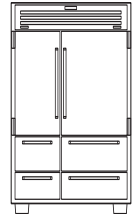
El proceso de instalación es igual para el modelo ICB648PROG con puerta de cristal en el compartimento superior del frigorífico que para el modelo ICB648PRO con puerta sólida.

Si tiene alguna pregunta o problema relacionado con la instalación, debe ponerse en contacto con su distribuidor de Sub-Zero o ir a nuestra página Web, subzero.com, para buscar el distribuidor regional por país.

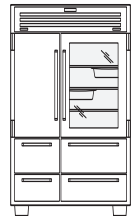
HERRAMIENTAS Y MATERIALES NECESARIOS

A continuación se especifican las herramientas y los materiales necesarios para realizar la instalación correcta del PRO 48.

- Juego de destornilladores Phillips
- Juego de destornilladores para tornillos ranurados
- Juego de destornilladores para tornillos de cabeza torx
- Tubo de cobre de 1200 mm de 6,35 mm de diámetro y válvula de montaje para el conducto del agua—pieza número 4200880 (no utilice válvulas autopercutoras)
- Instrumento especial para cortar el tubo de cobre
- Se recomienda tener un nivel para la nivelación del frente de 1200 mm y del costado de —6,35 mm
- Unidad rodante para mover el aparato capaz de soportar 454 kg y personal para manejar el peso de la unidad.
- Alicates de varios tamaños
- Juego de llaves
- Juego de llaves Allen
- Llave para tuercas hexagonales de 11 mm
- Llaves ajustables (inglesas)
- Taladro inalámbrico y varias brocas
- Masonita, madera contrachapada, panel de fibra prensado de 3,175 mm, cartón u otro material adecuado para proteger el acabado del suelo
- Materiales apropiados para cubrir y proteger el hogar y el mobiliario durante la instalación



Modelo ICB648PRO



Modelo ICB648PROG con puerta de cristal

MEDIDAS **GENERALES**

MODELOS ICB648PRO Y ICB648PROG

Ancho total	1219 mm
Alto total	2134 mm
Fondo desde detrás de marco frontal (instalación estándar)	606 mm
Fondo a parte delantera de marco frontal (instalación para empotrar mueble a medida)	657 mm
Fondo a tiradores	766 mm
argen de apertura de la puerta (frigorífico)	730* mm
Margen de apertura de la puerta (congelador)	521* mm
Peso de envío – ICB648PRO	401 kg
Peso de envío – ICB648PROG	408 kg

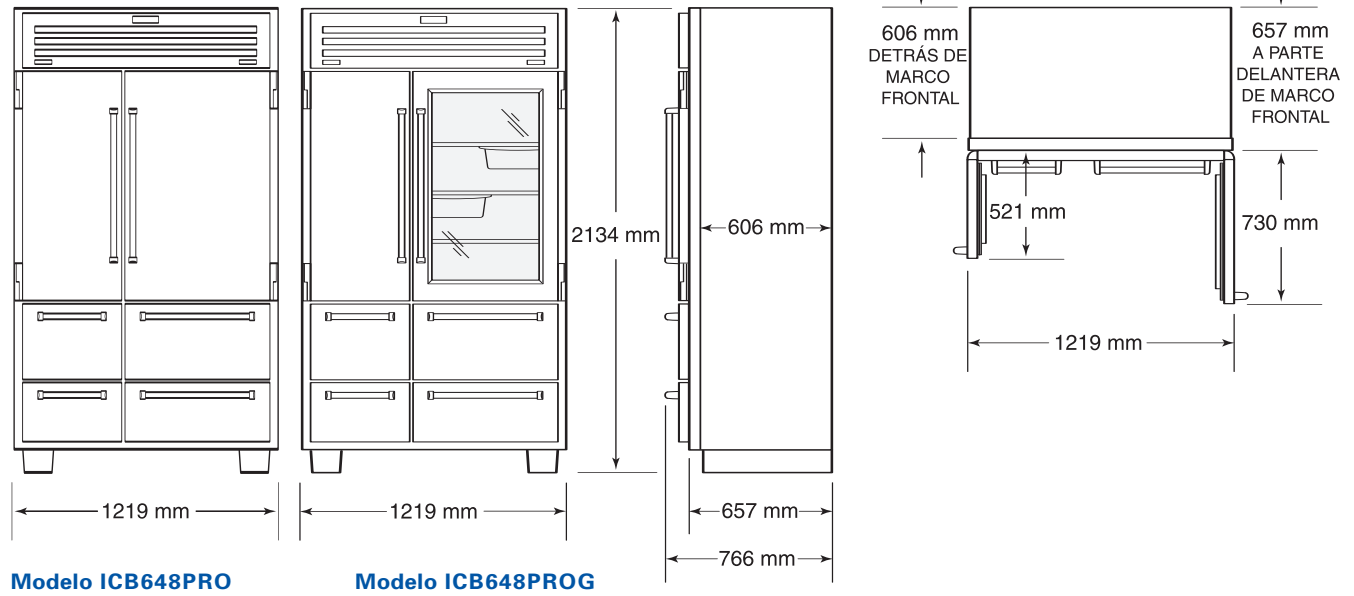
**Margen de apertura de la puerta desde la parte delantera del marco frontal más 51 mm de fondo del marco frontal para la instalación estándar.*

Las dimensiones pueden variar en ± 3 mm.

NOTA IMPORTANTE: El modelo ICB648PROG incluye una puerta de cristal en el compartimento superior del frigorífico y el modelo ICB648PRO tiene una puerta sólida. Las medidas generales y las medidas de la instalación son iguales para todas las unidades PRO 48.

MEDIDAS GENERALES

Medidas de la parte frontal, lateral y superior de los modelos ICB648PRO y ICB648PROG.



ESPECIFICACIONES DE LA INSTALACIÓN

La unidad PRO 48 se puede instalar para libre colocación o para empotrar o integrar de manera estándar o en mueble a medida. En el caso de las instalaciones integrables estándar, el marco frontal de la unidad se prolonga 51 mm por detrás del mueble. En instalaciones integrables en mueble a medida, la parte delantera del marco frontal se nivela con el mobiliario circundante.

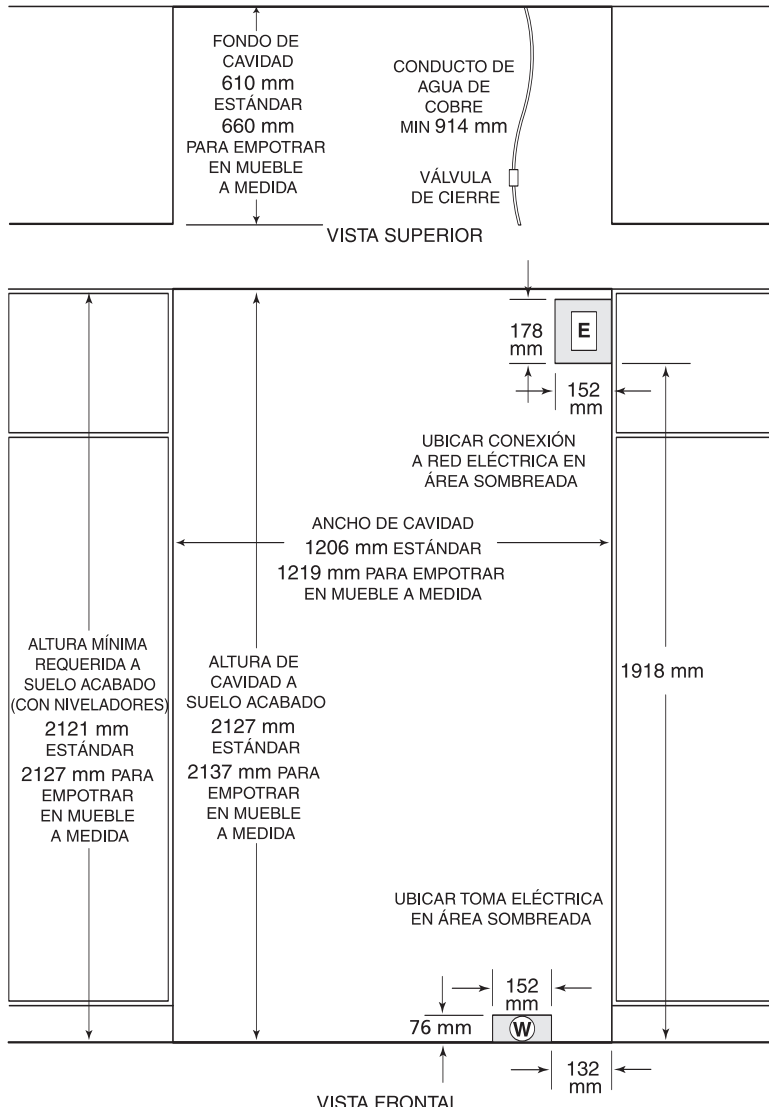
En instalaciones integrables, compruebe que la cavidad en la que se va a instalar la unidad está preparada correctamente. Vea la ilustración Especificaciones de la instalación para comprobar que las medidas de la cavidad, de la instalación eléctrica y de la instalación de fontanería son correctas.

NOTA IMPORTANTE: Para que funcionen de forma correcta, las puertas deben abrirse a un ángulo mínimo de 90°. Para las instalaciones integrables, utilice una tira protectora en las esquinas para asegurarse de que la puerta puede abrirse con un ángulo de 90°. Deje suficiente espacio delante de la unidad para que la puerta pueda abrirse totalmente.

NOTA IMPORTANTE: Compruebe que el suelo debajo de la unidad está al mismo nivel que el suelo circundante y asegúrese de que va a poder soportar el peso de la unidad: 401 kg ó 408 kg.

ESPECIFICACIONES DE LA INSTALACIÓN

Instalación estándar o para empotrar en mueble a medida de los modelos ICB648PRO y ICB648PROG.



MODELOS ICB648PRO Y ICB648PROG

Anchura de la cavidad (instalación estándar)	1206 mm
Anchura de la cavidad (instalación para empotrar en mueble a medida)	1219 mm
Altura de la cavidad (instalación estándar)	2127 mm
Altura de la cavidad (instalación para empotrar en mueble a medida)	2137 mm
Altura mínima requerida (a suelo acabado)	2121 mm
Fondo de cavidad (instalación estándar)	610 mm
Fondo de cavidad (instalación para empotrar en mueble a medida)	660 mm

Las medidas son para las cavidades acabadas.

REQUISITOS **ELÉCTRICOS**

Es necesario que la red eléctrica y el cortacircuitos sean de 220-240 V CA, 50/60 hercios y 10 amperios. Se necesita un circuito separado que alimente solamente a esta unidad. Ubique la toma eléctrica en el área sombreada que se muestra en la ilustración de la sección Especificaciones de la instalación de la página anterior.

La unidad PRO 48 viene equipada con un cable eléctrico bipolar con un enchufe de 2 clavijas de conexión a tierra, ésta debe enchufarse en un enchufe de pared de igual tipo con toma a tierra. Tenga en cuenta las normativas nacionales vigentes sobre instalaciones eléctricas y enchufes.

NOTA IMPORTANTE: No se recomienda utilizar un interruptor de circuito de fallos de conexión a tierra (GFCI) ya que puede interrumpir el funcionamiento de la unidad.

NOTA IMPORTANTE: La unidad PRO 48 está equipada con un orificio de entrada. Esto permite que el cable eléctrico se pueda cambiar de forma sencilla. El orificio de entrada de los aparatos está situado en la parte superior de la unidad en el protector del compresor.

⚠ AVISO

No utilice una alargadera ni un adaptador de dos púas. En este aparato se necesita una conexión a toma de tierra. No quite la clavija de conexión a tierra del cable eléctrico.

⚠ PRECAUCIÓN

La toma de corriente debe ser revisada por un electricista cualificado para comprobar que la conexión se ha realizado con la polaridad correcta. Compruebe que la toma de corriente suministra 220 voltios y que está conectada a tierra de manera correcta.

⚠ AVISO

Apague siempre la corriente eléctrica en el cuadro antes de realizar la instalación o las tareas de servicio o mantenimiento.



Peligro de Descarga Eléctrica

Enchufe el cable eléctrico directamente en una toma de tres clavijas con conexión a tierra.
 No quite la tercera clavija.
 No utilice adaptador ni cable de prolongación.
 Si no sigue estas instrucciones, es posible que se produzcan heridas graves o incluso la muerte.

Ver instrucciones de instalación

REQUISITOS DE FONTANERÍA

La unidad PRO 48 tiene un fabricante de cubitos de hielo automático. Este sistema funciona con una presión de agua que oscila entre 1,4 bar y 8,3 bar.

Instale el conducto de suministro de agua utilizando un tubo de cobre OD de 6,35 mm. El conducto de agua debe pasar por el suelo a una distancia de 13 mm con respecto a la pared trasera y a no más de 76 mm del suelo. Si tiene que atravesar la pared, procure que el conducto de agua no pase a más de 76 mm del suelo.

Independientemente de por donde pase el conducto, deje 0,9 m de tubo de cobre fuera de la pared o del suelo para facilitar la conexión con la unidad. Ubique la toma de agua en el área sombreada que se muestra en la ilustración de la sección Especificaciones de la instalación de la página anterior.

Utilice una conexión rápida o roscada de fácil acceso entre la toma de agua y la unidad. No utilice conexiones autoperforantes. Puede adquirir un equipo de conexión de montaje (pieza número 4200880) a través de su distribuidor de Sub-Zero.

El fabricante de cubitos de hielo no debe estar conectado a un descalcificador, ablandador de agua. Las sustancias químicas del ablandador del agua, por ejemplo, la sal de un ablandador que funcione mal, puede dañar el fabricante de cubitos de hielo y hacer que el hielo que se fabrique sea de poca calidad. Si no puede evitar tener el suministro de agua a través de un ablandador, procure que el mantenimiento del ablandador de agua sea el adecuado y que funcione de manera correcta.

NOTA IMPORTANTE: No utilice el fabricante de cubitos de hielo con agua que pueda tener microbios o con agua de la que desconozca la calidad sin antes realizar la desinfección o tratamiento correspondiente. Los sistemas certificados para reducir el cecidio se pueden utilizar en aguas desinfectadas que pueden contener cecidios filtrables.

NOTA IMPORTANTE: Todas las instalaciones deben cumplir los requisitos y normativas de fontanería nacionales.

NOTA IMPORTANTE: Se puede utilizar un sistema de osmosis invertido, teniendo en cuenta que se proporciona a la unidad una presión de agua constante que oscile entre 1,4 bar y 8,3 bar.

DESEMBALAJE DEL PRO 48

Desembale la unidad y compruebe si tiene algún daño o desperfecto. Quite la base de madera, retirando todos los tornillos que sujetan la base misma a la parte inferior de la unidad. Inclíne ligeramente la unidad hacia los lados para sacar las almohadillas de estireno colocadas debajo de la unidad. Quite y tire todo el material de embalaje.

NOTA IMPORTANTE No tire el zócalo, el soporte anti-vuelco, los protectores de las esquinas ni las piezas de la unidad. Estos elementos son necesarios para instalar la unidad.

EXTRACCIÓN DE LA **REJILLA**

Para evitar que se produzcan daños en la rejilla superior, ésta debe quitarse antes de mover la unidad.

Para quitar la rejilla, tire del borde inferior de la misma e incline el marco de la rejilla hasta sacarlo hacia adelante. Desconecte el cable de bajo voltaje que conecta la pantalla de tempe-ratura exterior de la rejilla al módulo y corte las dos conexiones blancas del cable que conectan con el cable de red en el soporte derecho de la rejilla. Estas conexiones deben cambiarse una vez que la unidad se haya instalado correctamente por las conexiones de cable extra que se incluyen en este paquete. Quite los tres tornillos de 11 mm de la base de la rejilla. Quite el tornillo del área superior de la rejilla para extraer el conjunto de la rejilla. Observe la siguiente ilustración.

INSTALACIÓN DEL **SOPORTE ANTI-VUELCO**

PIEZAS ANTI-VUELCO INCLUIDAS

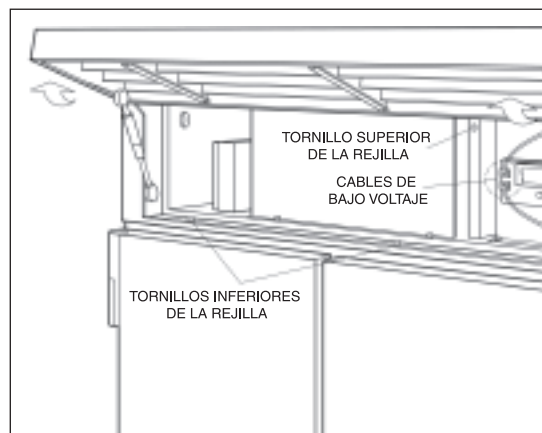
12	Tornillos de madera del 12 x 63,5 mm PN	6201190
3	Anclajes de expansión para hormigón de 9,52 mm x 95,25 mm	6110620
12	Arandelas planas del #12	6240040
3	Tornillos del #8-18 x 31,75 mm AB PH	6201520
3	Anclajes para pared de nailon	6160390

PELIGRO DE VUELCO

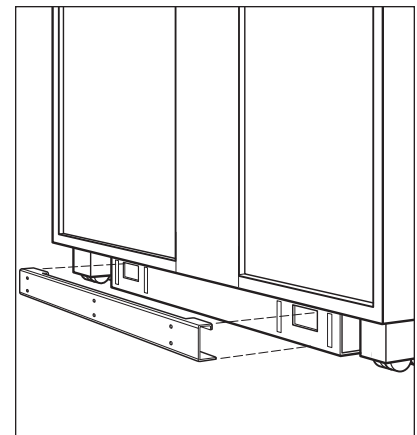
Para evitar que el aparato se vuelque, instale el sistema anti-vuelco y extienda los niveladores delanteros hasta el suelo, siguiendo las instrucciones de instalación.

Si no sigue las instrucciones, es posible que se puedan producir lesiones graves o incluso la muerte.

Ver instrucciones de instalación



Extracción de la rejilla



Alineación del soporte anti-vuelco

NOTA IMPORTANTE: La colocación del soporte anti-vuelco es muy importante para conseguir que la instalación de la unidad sea estable. El soporte debe instalarse exactamente a una distancia de 660 mm desde la parte delantera del marco frontal de la unidad a la parte trasera del soporte anti-vuelco. Además, la línea central del borde inferior del soporte anti-vuelco debe estar centrada en el hueco de apertura. Si no coloca bien el soporte anti-vuelco, es posible que el soporte no quede enganchado a la unidad. Procure instalar el soporte anti-vuelco en una base sólida. Observe la siguiente ilustración.

NOTA IMPORTANTE: Para llevar a cabo una instalación estable, procure utilizar las piezas del soporte anti-vuelco tal y como se indica en las instrucciones para suelos de madera u hormigón con el fin de que el soporte quede bien sujeto.

⚠ AVISO

Para impedir que la unidad PRO 48 se incline hacia adelante y para instalarla de forma segura, la unidad debe sujetarse con el soporte anti-vuelco que se envía con la misma.

APLICACIONES EN SUELO DE MADERA

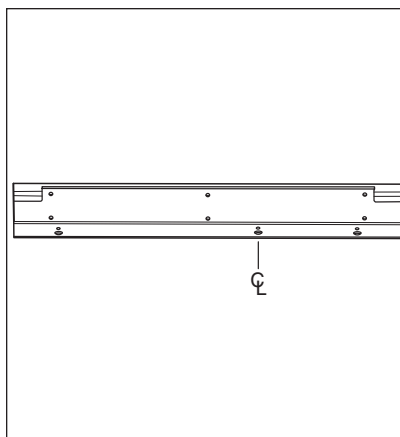
Utilice los doce tornillos de madera del 12 x 63,5 mm y las doce arandelas planas del #12 que se incluyen. Haga un agujero guía con un diámetro máximo de 5mm y asegúrese de que los tornillos se insertan en el material del suelo y en la placa de la pared un mínimo de 19mm. Procure que los tornillos queden bien apretados. Observe la siguiente ilustración.

NOTA IMPORTANTE: Si los tornillos de madera no tocan el montante de ninguno de los agujeros superiores del soporte anti-vuelco, utilice en su lugar el tornillo de madera del #8-18 x 31,75 mm, las arandelas planas del #12 y el anclaje para pared de nailon que se incluyen.

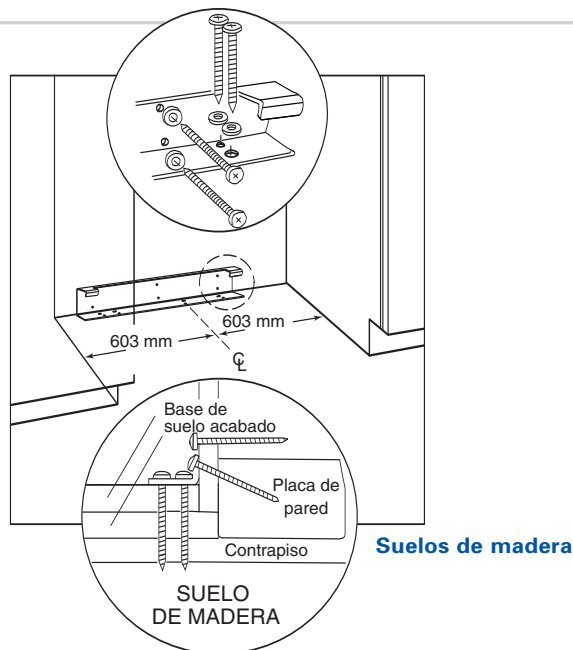
NOTA IMPORTANTE: En algunas instalaciones, es posible que debido al tipo de suelo o acabado de éste, necesite colocar inclinados los tornillos de madera utilizados para sujetar el soporte anti-vuelco a la pared trasera. Observe la siguiente ilustración.

⚠ AVISO

Compruebe que no hay cables eléctricos ni tuberías en el área en el que se van a introducir los tornillos.



Línea central del soporte anti-vuelco



Suelos de madera

INSTALACIÓN DEL
SOPORTE ANTI-VUELCO

APLICACIONES EN SUELO
DE MADERA

Utilice los tres anclajes de expansión para hormigón de 10 x 95,25 mm, los seis tornillos de madera del #12 x 63,5 mm y las seis arandelas planas del #12 que se incluyen. Compruebe que los tornillos queden bien apretados. Observe la siguiente ilustración.

NOTA IMPORTANTE: Si los tornillos de madera no tocan el montante de ninguno de los agujeros superiores del soporte anti-vuelco, utilice en su lugar el tornillo de madera del #8-18 x 31,75 mm, las arandelas planas del #12 y el anclaje para pared de nailon que se proporcionan.

NOTA IMPORTANTE: En algunas instalaciones, es posible que el acabado del necesite montar inclinados los tornillos de madera utilizados para sujetar el soporte anti-vuelco a la pared trasera. Observe la siguiente ilustración.

▲ AVISO

Compruebe que no hay cables eléctricos ni tuberías en el área en la que se van a introducir los tornillos.

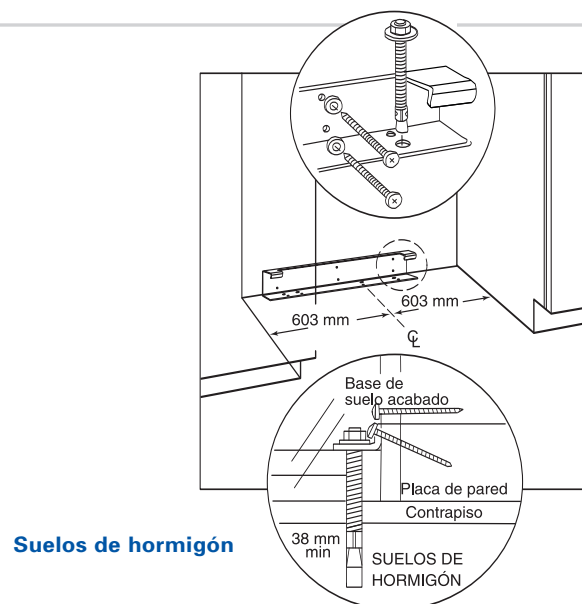
INSTALAR ANCLAJES DE EXPANSIÓN
PARA HORMIGÓN

- 1) Haga un agujero de 10 mm de diámetro con una profundidad superior al incrustado mínimo. Limpie el agujero o continúe taladrando para hacer el agujero más profundo y que quepan los residuos en él. Utilice una broca de carburo.
- 2) Coloque la arandela y la tuerca al nivel del extremo del anclaje para proteger las roscas. Inserte el anclaje en el material en el que debe atornillarse hasta que la arandela quede nivelada con el material de la superficie.
- 3) Extienda el anclaje utilizando para ello una llave que sirva para apretar la tuerca 3-5 vueltas más de su posición lograda con el apriete manual o hasta 25 libras de torsión.

▲ PRECAUCIÓN

Lleve siempre gafas de seguridad y utilice cualquier otro dispositivo o ropa de protección que sea necesario cuando esté instalando o trabajando con anclajes.

Se recomienda no utilizar los anclajes en material de mampostería poco pesado, por ejemplo, bloques o ladrillos, ni utilizarlo en hormigón fresco que no se haya secado el tiempo suficiente. No se recomienda utilizar brocas huecas para hacer agujeros para los anclajes.



Suelos de hormigón

MOVER LA UNIDAD PRO 48

Una vez que haya completado los pasos para desembalar el PRO 48 y haya extraído la rejilla e instalado el soporte anti-vuelco, mueva con cuidado la unidad a la plataforma rodante para la unidad. Cuando haya sujetado bien la unidad en la plataforma rodante, utilice los protectores de las esquinas incluidos en el paquete con el precinto para evitar que se produzcan daños en el exterior de acero inoxidable. Además, no quite el precinto de las puertas y los cajones. Consulte la siguiente ilustración para colocar de forma correcta la plataforma rodante.

NOTA IMPORTANTE: Proteja el suelo circundante con madera contrachapada, panel de fibra prensado de 3 mm u otro material adecuado antes de mover la unidad por el suelo.

Con cuidado, mueva la unidad PRO 48 a su lugar cerca de la apertura y sáquela fuera de la plataforma rodante. PRO 48 viene equipado con ruedas para que resulte más fácil colocarlo en la posición adecuada.

⚠ AVISO

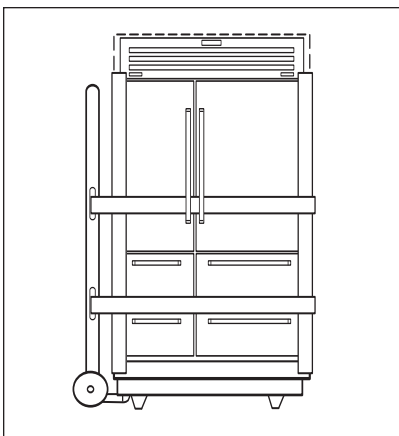
La unidad PRO 48 es muy pesada, 401 kg ó 408 kg, procure disponer del personal necesario cuando mueva y coloque la unidad. Asegúrese de que las puertas y los cajones están cerrados antes de mover la unidad.

Repliegue las patas de nivelación delanteras totalmente hacia arriba para permitir que la unidad se pueda colocar en la posición adecuada con mayor facilidad. Extienda las patas de nivelación delanteras hacia abajo y ajústelas cuando la unidad esté colocada en la posición correcta.

NOTA IMPORTANTE: Los apoyos traseros deben estar en la posición más baja para que la unidad pueda empujarse hasta el hueco correspondiente. Por lo tanto, no se puede completar la nivelación hasta que la unidad esté colocada en la posición correcta.

Apague la corriente eléctrica de la toma de pared. Enchufe el cable eléctrico en una toma de conexión a tierra de 10 amperios y coloque la unidad en la posición adecuada. Compruebe que el soporte anti-vuelco está colocado de manera correcta.

NOTA IMPORTANTE: Si por algún motivo, la unidad se ha colocado en posición horizontal o hacia atrás, debe dejar que la unidad permanezca en posición vertical durante un mínimo de 24 horas antes de conectarla a la fuente de alimentación.



Colocación correcta de la plataforma rodante

CONEXIÓN A LA TOMA DE AGUA

Debe conectar un tubo de plástico de 0,9 m de 6,35mm al fabricante de cubitos de hielo con una conexión de presión de 6,35 mm montada en el extremo. Este tubo está situado debajo de la unidad.

El kit de conexión a la toma de agua que se proporciona con la unidad contiene un mango de compresión de 6,35 mm y una tuerca de compresión de 6,35 mm para que se pueda realizar la conexión a la toma de agua doméstica. Coloque la tuerca y el manguito de compresión en el conducto del agua y sujételo a la conexión del extremo del tubo situado debajo de la unidad. No lo apriete demasiado. Compruebe si existe alguna fuga de agua en las conexiones del conducto. Asegúrese de que el depósito de desagüe se ha instalado y quitado sin que se haya producido ningún problema en el conducto ni en la toma de agua.

NOTA IMPORTANTE: Asegúrese de purgar el conducto de agua antes de conectarlo a la unidad. Esto hará que se elimine cualquier tipo de suciedad que pueda haber en el tubo al instalar el nuevo conducto de agua.

NOTA IMPORTANTE: Informe al cliente de que el fabricante de cubitos de hielo no fabricará hielo inmediatamente y que deberá tirar la primera cubeta de hielo que fabrique. Antes de tirar la primera cubeta, deje que el fabricante de cubitos fabrique hielo durante 48 horas.

NIVELACIÓN DE LA UNIDAD

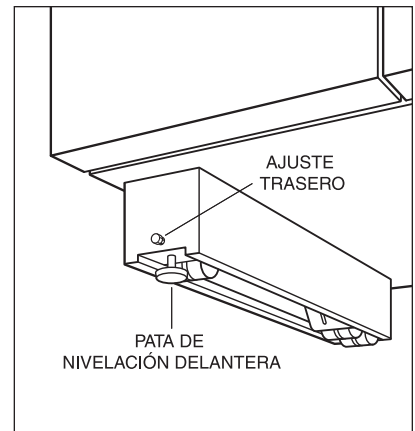
Una vez que la unidad esté colocada en la posición correcta, extienda las patas de nivelación delanteras girándolas en el sentido de las agujas del reloj y ajuste la altura. El ajuste de la altura de la parte trasera se puede realizar desde la parte delantera de la base. Utilice una llave de cubo de 8mm para ajustar las ruedas traseras. Gire el tornillo hexagonal de 8 mm en el sentido de las agujas del reloj para levantar la unidad o en el sentido contrario al de las agujas del reloj para bajarla.

Cuando la unidad está nivelada correctamente o está bien cuadrada, no es tan necesario realizar los ajustes de las puertas y/o de los cajones. Observe la siguiente ilustración para ubicar el ajuste de la base de las ruedas traseras.

NOTA IMPORTANTE: Compruebe que la unidad está nivelada con el suelo y no con el mobiliario circundante. Esto puede afectar al funcionamiento de la unidad, por ejemplo, es posible que las puertas no cierren correctamente.

INSTALACIÓN DEL ZÓCALO

Para instalarlo, atornille el zócalo en los soportes unidos a la superficie interior de cada una de las bases de la rueda.



Ajuste de la base de la rueda trasera

AJUSTE DE LA PUERTA

Asegúrese de que las dos puertas están ajustadas correctamente. Si no es así, puede realizar los ajustes en las bisagras de la puerta y del armario.

NOTA IMPORTANTE: Compruebe que la unidad está nivelada correctamente antes de realizar algún ajuste en las bisagras de la puerta o del armario.

AJUSTE DE LA BISAGRA DEL ARMARIO

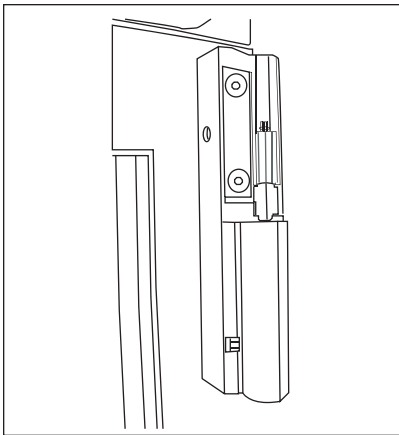
Para ajustar las bisagras del armario es necesario que la puerta esté quitada. Para quitar la puerta, levante la zona de ventilación superior de la rejilla, abra la puerta 45° aproximadamente y saque la puerta de las bisagras del armario. Quite las clavijas de las bisagras.

Afloje los dos fijadores de las bisagras de la puerta con una vuelta de $\frac{1}{4}$ a $\frac{1}{2}$. Observe la siguiente ilustración. Vuelva a instalar las clavijas de las bisagras y la puerta. Abra la puerta y con la llave Allen que se incluye, gire el tornillo de ajuste para colocar de nuevo la bisagra del armario. Cierre la puerta y compruebe la alineación. Repita estos pasos hasta que la puerta esté alineada correctamente.

Quite las clavijas de la bisagra y la puerta de nuevo y apriete los dos fijadores de la bisagra del armario. Vuelva a instalar la puerta y las clavijas de la bisagra y cierre la zona de ventilación de la rejilla superior.

⚠ PRECAUCIÓN

Es posible que las clavijas de la bisagra se claven en la puerta en lugar de en la bisagra del armario y es posible que se caigan de la puerta trascurridos unos segundos, lo cual podría causar heridas o podría dañar el suelo.



Ajuste de la bisagra del armario

AJUSTE DE LA **PUERTA**

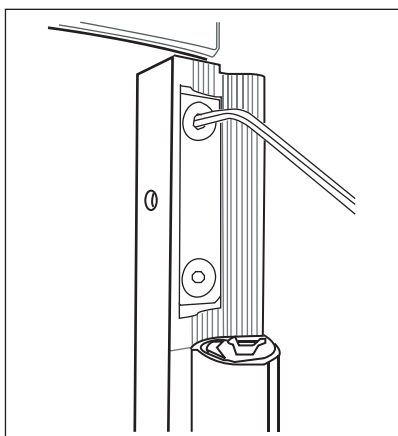
AJUSTE DE LA BISAGRA DE LA PUERTA

Para ajustar las bisagras de la puerta es necesario que la puerta esté quitada. Para quitar la puerta, levante la zona de ventilación de la rejilla superior, abra la puerta 45° aproximadamente y saque la puerta de las bisagras del armario. Quite las clavijas de las bisagras.

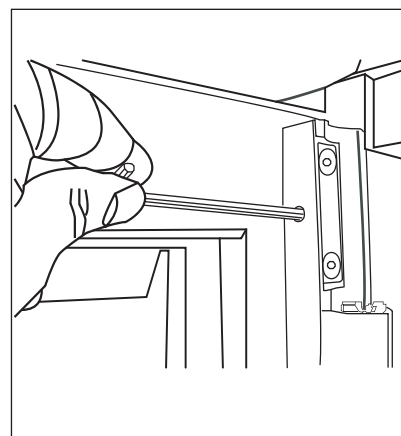
Afloje los dos fijadores de la bisagra de la puerta, mueva la bisagra a la posición que desea y apriete de nuevo los fijadores. Observe la siguiente ilustración. Vuelva a instalar las clavijas de las bisagras y la puerta. Compruebe la alineación y el sellado de la puerta. Cierre la zona de ventilación de la rejilla superior.

⚠ PRECAUCIÓN

Cuando ajuste las bisagras de la puerta y del armario, es importante que las bisagras se mantengan paralelas a la parte frontal de la puerta y al lateral del armario. El interruptor de la puerta no funcionará si las bisagras están mal alineadas; si las bisagras están mal alineadas, la luces permanecen encendidas y el ventilador no funciona. Esto hace que la temperatura del armario suba. Una vez que se hayan realizado los ajustes de las bisagras, compruebe que el interruptor de la puerta está funcionando correctamente.



Ajuste de la bisagra de la puerta



Ajuste de la bisagra de la puerta

AJUSTE DEL CAJÓN

Asegúrese de que los dos cajones están ajustados correctamente. Si no es así, puede realizar los ajustes verticales y horizontales de los cajones.

AJUSTE VERTICAL

Para realizar los ajustes verticales, es necesario que quite el cajón. Para extraer el cajón, tire del cajón hacia fuera hasta que se detenga, levante el cajón hacia arriba tirando de los dos lados de la parte delantera y sáquelo hacia fuera.

Afloje los tres fijadores de montaje del sistema deslizante del cajón. Con una llave de boca de 11 mm, gire el fijador de ajuste a la posición que desee y apriete los fijadores de nuevo. Observe la siguiente ilustración.

Para colocar el cajón de nuevo, levante la parte delantera del cajón y colóquelo en las guías de desplazamiento del cajón. Asegúrese de enganchar de manera correcta la parte delantera del cajón en el conjunto del cajón.

Compruebe la alineación del sistema de cierre automático del cajón. Si el pasador del sistema de cierre no está alineado con la clavija del sistema de cierre, ajuste la posición del mecanismo de cierre automático.

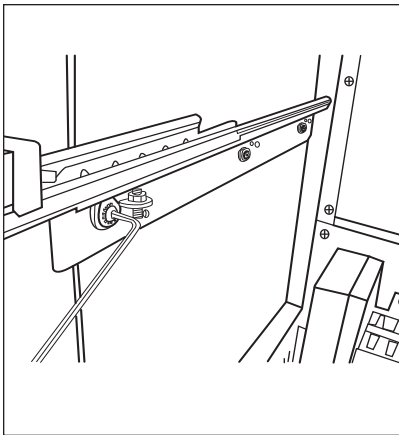
AJUSTE HORIZONTAL

Para realizar los ajustes horizontales, es necesario que quite el cajón. Para extraer el cajón, tire del cajón hacia fuera hasta que se detenga, levante el cajón hacia arriba tirando de los dos lados de la parte delantera y tire de él hacia fuera.

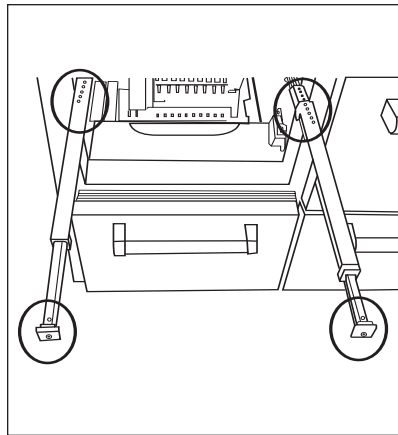
Afloje los tornillos de las dos guías deslizantes delanteras y, a continuación, mueva los bloques de ajuste a la posición que desee y apriete los tornillos de nuevo. Observe la siguiente ilustración.

Suelte el bloque de ajuste trasero desenganchando los cierres. Mueva el bloque hacia adelante para desplazar el cajón a la derecha, y hacia atrás para desplazar el cajón a la izquierda. Cada posición moverá el cajón 0,8 mm. Observe la siguiente ilustración. Quite el bloque por las clavijas situadas en el ajustador trasero. Los dos lados deben moverse en la misma dirección.

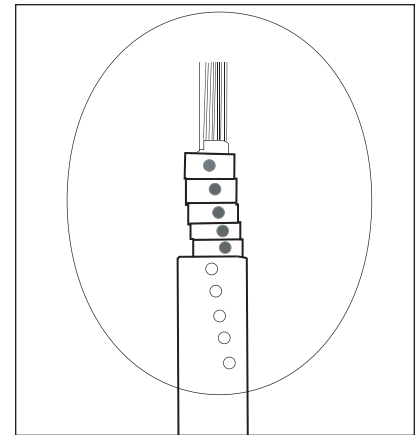
Para colocar el cajón de nuevo, levante la parte delantera del cajón y colóquelo en las guías de desplazamiento del cajón. Asegúrese de enganchar de manera correcta la parte delantera del cajón en el conjunto del cajón.



Ajuste vertical del cajón



Ajuste horizontal del cajón



Ajuste horizontal del cajón



LISTA DE COMPROBACIÓN DE LA INSTALACIÓN

Debe tenerse en cuenta la importancia de la instalación del PRO 48 de Sub-Zero. Llevar a cabo una instalación correcta es responsabilidad del instalador o del distribuidor de ventas.

NOTA IMPORTANTE: Para que la instalación se lleve a cabo de forma segura y eficaz, la siguiente lista de comprobación debe ser completada por el instalador para asegurarse de que no se ha omitido ninguna parte del proceso de instalación.

Si tiene alguna pregunta o problema relacionado con la instalación, debe ponerse en contacto con su distribuidor de Sub-Zero o ir a nuestra página Web, subzero.com, para buscar el distribuidor regional por país.

LISTA DE COMPROBACIÓN DE LA INSTALACIÓN

- ¿Ha retirado el material de embalaje?
- ¿Ha notado algún daño en el acero inoxidable?
- Encienda la unidad. ¿Funciona de forma correcta? Si no es así, compruebe si la unidad está enchufada. ¿Está encendido el botón de control?
- ¿Está conectado el conducto de suministro de agua y no tiene fugas?
- ¿Se ha instalado el soporte anti-vuelco de forma segura?
- ¿Está la unidad nivelada correctamente en una superficie sólida y nivelada?
- ¿Se ha instalado de manera correcta el depósito de desagüe?
- ¿Ha instalado el zócalo?
- ¿Están colocados los tornillos de la rejilla en la posición correcta?
- ¿Se han ajustado las puertas y los cajones para un funcionamiento, sellado y alineación correctos? ¿Necesita alguna puerta un tope de puerta a 90°?
- ¿Entiende su cliente el funcionamiento de la unidad?
- ¿Está conectado el suministro de agua y está encendido el fabricante de cubitos de hielo?

INFORMACIÓN DE MANTENIMIENTO

Si el cliente necesita ayuda, pídale que anote el modelo y el número de serie cuando llame. Encontrará estos números en la placa de modelo y número de serie situada en el lateral izquierdo del compartimiento superior de cajones del congelador.

Para buscar el servicio técnico de su área, póngase en contacto con su distribuidor de Sub-Zero o vaya a la página Web, www.sub-zero.eu.com, para buscar el distribuidor regional por país.

PANELES LATERAL Y SUPERIOR

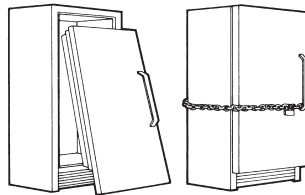
Los paneles superior y lateral de acero inoxidable accesorios están disponibles a través del distribuidor de Sub-Zero. Las instrucciones de instalación vienen incluidas con los paneles.

TOPE DE PUERTA A 90 GRADOS

Las puertas de los modelos PRO 48 se abren a 135 grados. Existe un tope de puerta a 90° disponible a través de su distribuidor de Sub-Zero.

⚠ AVISO

Si va a almacenar o a tirar el frigorífico o el congelador antiguos, hágalo de manera segura. Quite las puertas o ciérrelas de forma segura. Recuerde que si algún niño queda atrapado, las consecuencias pueden ser trágicas.



La información y las imágenes que se incluyen en este documento son propiedad Sub-Zero de Freezer Company, Inc. Este documento y la información y las imágenes que en él se incluyen no puede copiarse ni utilizarse total ni parcialmente sin el consentimiento por escrito de Sub-Zero Freezer Company, Inc.

©Sub-Zero Freezer Company, Inc. Reservados todos los derechos.

PRO
48



Vous remarquerez toute au long de ce manuel d'instructions les mentions **AVERTISSEMENT** et **MISE EN GARDE**, destinées à fournir des recommandations importantes afin d'assurer la sécurité et l'efficacité de l'installation du matériel Sub-Zero. Deux types de dangers potentiels peuvent se présenter au cours de l'installation.

▲ MISE EN GARDE

signale un danger qui pourrait causer une blessure mineure ou endommager le produit si vous ne suivez pas les instructions.

▲ AVERTISSEMENT

signale un danger qui pourrait causer des blessures graves voire fatales si vous ne prenez pas certaines précautions.

De plus, la mention **REMARQUE IMPORTANTE** met l'accent sur de l'information particulièrement importante pour assurer une installation sans problème.

RECOMMANDATIONS D'INSTALLATION

On ne soulignera jamais assez l'importance que revêt l'installation du Sub-Zero PRO 48. A ce titre, elle devra être exécutée par un installateur qualifié.

Avant de commencer le processus d'installation, nous vous recommandons de lire le Manuel d'instructions d'installation dans son intégralité. Il fournit des détails essentiels dont vous devrez tout spécialement tenir compte au cours de l'installation. La lecture attentive de ces instructions facilitera le processus d'installation, éliminera les problèmes et, plus important encore, assurera la sécurité.

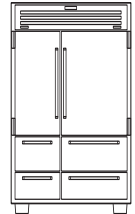
Le processus d'installation est identique pour le modèle ICB648PROG, doté d'une porte vitrée sur le compartiment supérieur, que pour le modèle ICB648PRO, doté d'une porte pleine.

Toutes questions ou problèmes d'installation devront être adressés à votre dépositaire Sub-Zero. Vous pouvez également aller à la page « Locator » de notre site Internet, subzero.com, pour trouver les coordonnées du distributeur régional de chaque pays.

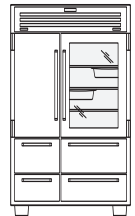
OUTILS ET MATERIAUX REQUIS

Vous trouverez ci-dessous la liste des outils et des matériaux dont vous devrez disposer pour installer un appareil PRO 48 comme il se doit.

- Ensemble de tournevis pour têtes Phillips
- Ensemble de tournevis pour têtes plates
- Ensemble de tournevis Torx
- 1200 mm de tube en cuivre de 6,35 mm et un robinet-vanne à étrier pour la tuyauterie d'alimentation—#4200880 (n'utilisez pas de robinet auto-perceur)
- Coupe-tube en cuivre
- Niveaux— 0,6 m et 0,2 m recommandés
- Chariot pour appareils ménagers pouvant transporter un poids de 454 kg et main-d'oeuvre adéquate pour manier un appareil de ce poids
- Pincés de différentes dimensions
- Ensemble de clés
- Ensemble de clés Allen
- Douille hexagonale 11 mm
- Clés à molette Crescent
- Perceuse sans fil et mèches assorties
- Panneau dur, contreplaqué, panneau d'aggloméré de 3,175 mm ou autre matériau équivalent pour protéger le revêtement de sol
- Matériel approprié pour recouvrir, protéger la maison et les meubles pendant l'installation



**Modèle
ICB648PRO**



**Modèle
ICB648PROG
avec porte vitrée**

DIMENSIONS **HORS-TOUT**
MODELES ICB648PRO ET ICB648PROG

Largeur hors tout	1219 mm
Hauteur hors tout	2134 mm
Profondeur à l'arrière du cadre avant (installation standard encastrée)	606 mm
Profondeur jusque devant le cadre avant (installation à fleur)	657 mm
Profondeur jusqu'aux poignées	766 mm
Dégagement de la porte (réfrigérateur)	730* mm
Dégagement de la porte (congélateur)	521* mm
Poids à l'expédition – ICB648PRO	401 kg
Poids à l'expédition – ICB648PROG	408 kg

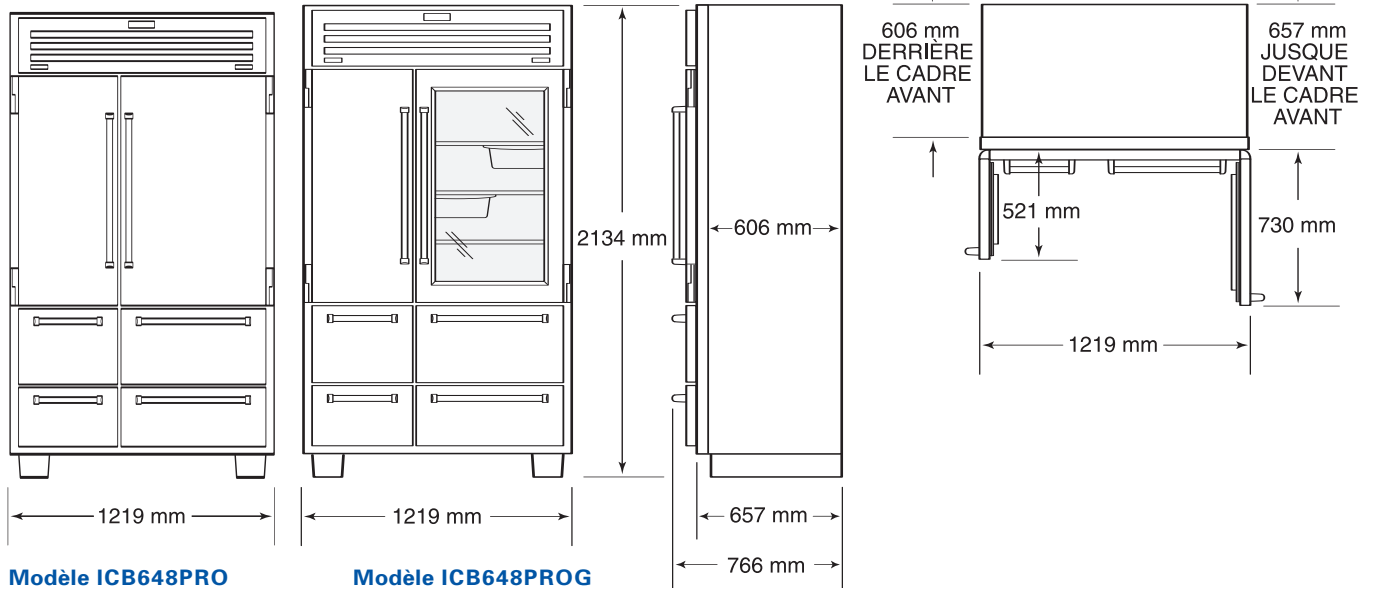
**Ajouter 51 mm de dégagement de porte dans le cas d'une installation standard encastrée.*

Les dimensions peuvent varier de ± 3 mm.

REMARQUE IMPORTANTE : Le modèle ICB648PROG est doté d'une porte vitrée sur le compartiment supérieur du réfrigérateur, tandis que le modèle ICB648PRO est muni d'une porte pleine. Toutes les dimensions hors-tout ainsi que les dimensions d'installation sont identiques pour les deux modèles PRO 48.

DIMENSIONS HORS-TOUT

Dimensions de face, de côté et du dessus des modèles ICB648PRO et ICB648PROG.



SPECIFICATIONS D'INSTALLATION

Les modèles de la série PRO 48 peuvent être installés en version posable, encastrés standard ou à fleur de la charnière. Lors d'une installation encastrée standard, le cadre situé derrière la charnière dépasse du meuble de 51mm. Lors d'une installation à fleur de la charnière, l'avant du cadre affleure le meuble adjacent.

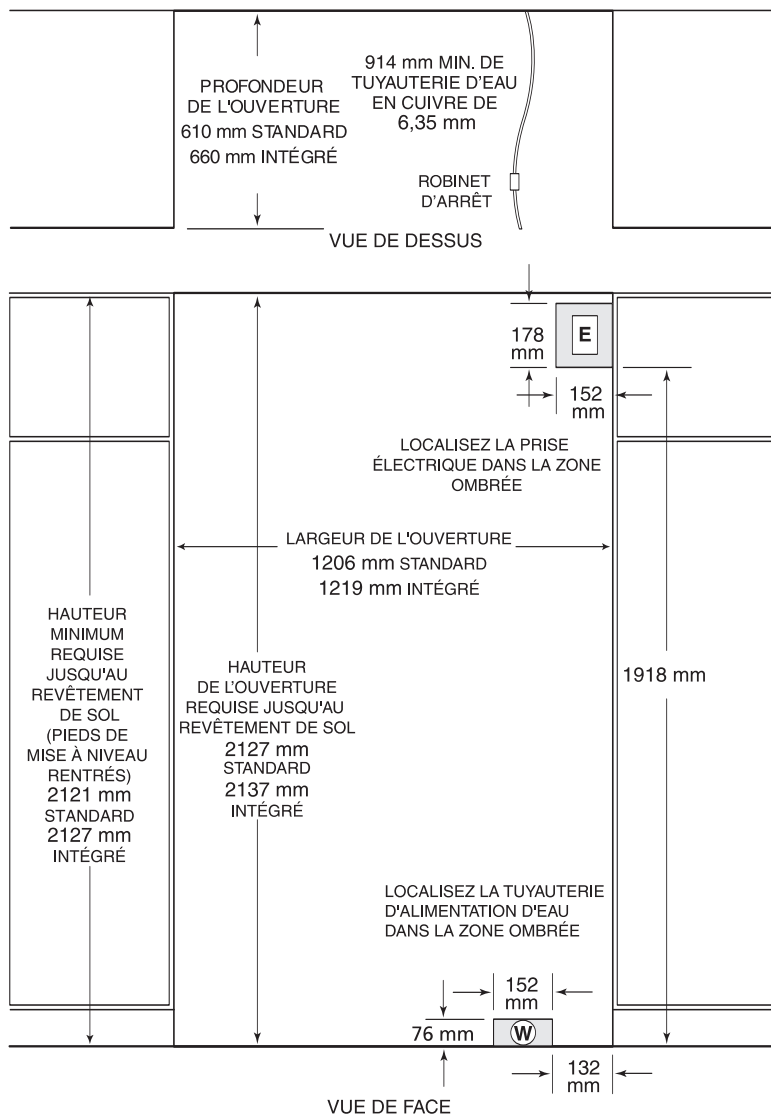
Pour les installations encastrées, assurez-vous que la niche dans laquelle l'appareil sera installé est correctement préparée et finie. Reportez-vous à l'illustration « Spécifications d'installation » afin de vous assurer que les dimensions de l'ouverture, le coffret de branchement et la plomberie sont adéquats.

REMARQUE IMPORTANTE : Pour fonctionner correctement, l'angle d'ouverture des portes doit être de 90° minimum. Dans le cas d'une installation encastrée en angle, prévoyez une bande de remplissage pour que la porte puisse s'ouvrir à 90°. Prévoyez un dégagement suffisant devant l'appareil pour permettre à la porte de s'ouvrir complètement.

REMARQUE IMPORTANTE : Assurez-vous que le sol situé sous l'appareil soit de niveau avec le reste du sol et qu'il pourra supporter le poids de 401 kg ou de 408 kg de l'appareil.

SPECIFICATIONS D'INSTALLATION

standard et intégrée des modèles ICB648PRO et ICB648PROG.



MODELES ICB648PRO ET ICB648PROG

Largeur de l'ouverture (installation encastrée)	1206 mm
Largeur de l'ouverture (installation à fleur)	1219 mm
Hauteur de l'ouverture (installation encastrée)	2127 mm
Hauteur de l'ouverture (installation à fleur)	2137 mm
Hauteur minimum requise (jusqu'au revêtement de sol)	121 mm
Profondeur de l'ouverture (installation encastrée)	610 mm
Profondeur de l'ouverture (installation à fleur)	60 mm

Ces dimensions s'appliquent aux ouvertures finies.

CONFIGURATION **ELECTRIQUE**

Vous aurez besoin d'un disjoncteur de 220 - 240 V c.a., 50/60 Hz, 10 A et amp et d'une alimentation électrique. Un circuit séparé, alimentant uniquement cet appareil ménager, est également requis. Repérez la prise électrique dans la zone ombrée figurant dans l'illustration Spécifications d'installation de la page précédente.

Les modèles de la série PRO 48 sont munis d'un cordon électrique détachable doté d'une fiche de mise à la terre à 3 broches, qui doit être branché dans une prise murale comportant une liaison à la terre-. Conformez-vous aux ordonnances et aux codes locaux lorsque vous installez la prise.

REMARQUE IMPORTANTE : L'utilisation d'un disjoncteur de fuite de terre n'est pas recommandée et pourrait provoquer l'interruption du fonctionnement.

REMARQUE IMPORTANTE : L'unité PRO 48 est dotée d'un orifice d'accès qui facilite le remplacement du cordon électrique. Cet orifice d'accès est situé sur le dessus de l'unité, sur le capot du compresseur.

⚠ AVERTISSEMENT

N'utilisez pas de cordon de rallonge ou d'adaptateur à deux broches. La mise à la terre électrique est requise sur cet appareil ménager. N'enlevez pas la broche de mise à la terre du cordon électrique.

⚠ MISE EN GARDE

La prise doit être vérifiée par un électricien qualifié qui doit s'assurer qu'elle est dotée de la polarité adéquate. Assurez-vous que la prise fournit 220 volts et qu'elle est correctement mise à la terre.

⚠ AVERTISSEMENT

Coupez toujours le courant au disjoncteur avant d'exécuter toute opération d'installation, de réparation ou de maintenance.

	<p>Danger de choc électrique</p>
<p>Branchez directement le cordon électrique dans une prise à 3 broches mise à la terre correctement N'enlevez pas la troisième broche N'utilisez pas d'adaptateur ou de cordon de rallonge Le non-respect de ces instructions pourrait entraîner des blessures graves voire fatales</p>	
<p>Voir les instructions d'installation</p>	

CONFIGURATION DE LA PLOMBERIE

DEBALLAGE DU PRO 48

Le modèle PRO 48 est équipé d'une machine à glaçons dont le fonctionnement nécessite une pression d'eau de 1,4 bars à 8,3 bars.

Mettez en place la tuyauterie d'alimentation d'eau froide en utilisant un tuyau de cuivre de 6,35 mm de diamètre extérieur. La tuyauterie d'eau devra être acheminée par le sol à une distance maximum de 13 mm du mur d'extrémité et à une hauteur du sol ne dépassant pas. Si la tuyauterie doit traverser le mur, assurez-vous qu'elle n'est pas à plus de 76 mm du sol.

Indépendamment du type d'acheminement, laissez un excès de 0,9 m de tube de cuivre hors du mur ou du sol pour faciliter le raccordement à l'unité. Localisez la tuyauterie d'alimentation d'eau dans la zone ombrée figurant dans l'illustration Spécifications d'installation de la page précédente.

Utilisez un robinet d'arrêt facilement accessible entre l'alimentation d'eau et l'unité. N'utilisez pas de robinet autoperceur. Un robinet-vanne à étrier (pièce no 4200880) est disponible chez votre dépositaire Sub-Zero.

Il n'est pas recommandé de raccorder le distributeur de glaçons à une alimentation d'eau adoucie. En effet, les produits chimiques contenus dans les adoucisseurs d'eau, tel que le sel dans un adoucisseur qui ne fonctionne pas correctement, peuvent endommager le distributeur et altérer la qualité des glaçons. Si vous devez utiliser l'alimentation d'eau adoucie, assurez-vous que l'adoucisseur est bien entretenu et fonctionne correctement.

REMARQUE IMPORTANTE : N'utilisez pas de l'eau qui est microbiologiquement peu sûre ou dont vous ne connaissez pas la qualité sans une désinfection adéquate avant ou après l'installation du système. Les systèmes certifiés pour la réduction des kystes peuvent être utilisés avec les eaux désinfectées qui peuvent contenir des kystes filtrables.

REMARQUE IMPORTANTE : Toutes les installations doivent être conformes aux codes de plomberie locaux.

REMARQUE IMPORTANTE : Un système d'osmose inverse peut être utilisé, à condition qu'une pression d'eau constante de 1,4 bar à 8,3 bars soit générée en permanence à l'unité.

Dégagez l'appareil du carton et inspectez-le afin de déceler tous dommages éventuels. Enlevez le socle en bois et jetez les écrous et les supports qui le retiennent à la base de l'appareil. Faites basculer légèrement l'appareil de chaque côté pour enlever les coussins de styrolène qui se trouve sous la base. Retirez et jetez tous les matériaux d'emballage.

REMARQUE IMPORTANTE : Ne jetez pas la plaque de bas de porte, le support antibasculement et les cornières de protection. Vous en aurez besoin au cours de l'installation.

RETRAIT DE LA **GRILLE**

Afin d'éviter d'endommager la grille, vous devriez retirer l'ensemble de la grille supérieure avant de déplacer l'appareil.

Pour ce faire, tirez sur le bord inférieur de la grille et faites basculer son cadre vers l'avant. Débranchez le câble à basse tension qui raccorde les afficheurs de la température extérieure situés sur la grille au module d'affichage et coupez les deux ligatures de câble blanches qui attachent le câble du réseau au support droit de la grille. Une fois que l'appareil a été correctement installé, ces ligatures de câble doivent être remplacées par les autres ligatures de câble contenues dans cette boîte. Retirez les trois boulons de 11 mm po de la base de la grille. Retirez la vis de la partie supérieure de la grille afin de retirer l'ensemble de la grille. Reportez-vous à l'illustration ci-après.

INSTALLATION DU **SUPPORT ANTIBASCULEMENT**

MATÉRIEL ANTIBASCULEMENT INCLUS

12	Vis à bois no 12 x 63,5 mm	6201190
3	pièces d'ancrage Trubolt de 9,52 mm x 95,25 mm	6110620
12	Rondelle plate no 12	6240040
3	Vis AB PH HD no 8 - 18 - 31,75	6201520
3	Pièce d'ancrage murale en nylon Zip-It	6160390

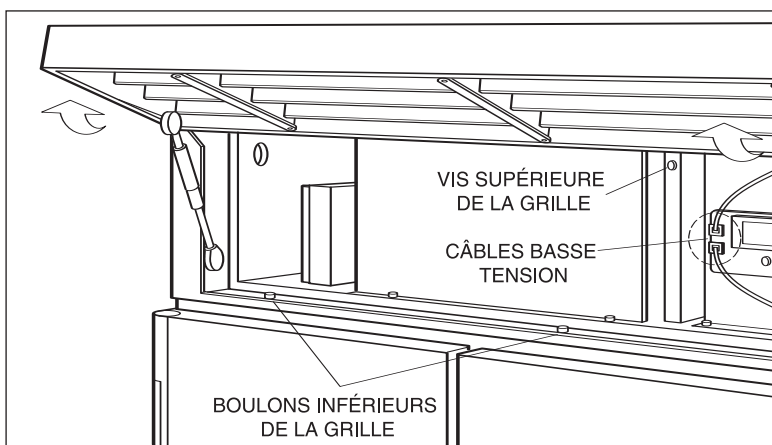


RISQUE DE BASCULEMENT

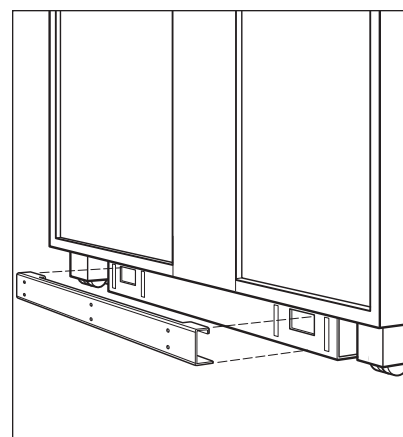
Afin d'éviter le basculement de l'appareil ménager, installez un dispositif antibasculement et faites reposer les pieds de mise à niveau sur le sol, conformément aux instructions d'installation.

Le non-respect des instructions d'installation pourrait entraîner des blessures graves voire fatales.

Voir les instructions d'installation.



Retrait de la grille



Alignement du support antibasculement

REMARQUE IMPORTANTE : La pose du support antibasculement est cruciale pour assurer la stabilité de l'installation. Celui-ci doit être installé selon une distance précise de 660 mm allant du devant du cadre avant de l'appareil à l'arrière du support antibasculement. De plus, l'axe de la bride inférieure du support antibasculement doit être centré par rapport à l'ouverture dans laquelle sera installée l'appareil. Si le support antibasculement n'est pas correctement positionné, vous ne pourrez pas engager l'appareil. Assurez-vous que le support antibasculement repose sur une base solide. Reportez-vous aux illustrations ci-après.

REMARQUE IMPORTANTE : Pour assurer la stabilité de l'installation, veillez à utiliser le matériel de pose du support antibasculement recommandé pour les planchers de bois ou les sols en béton, afin de fixer solidement le support.

APPLICATIONS POUR LES PLANCHERS DE BOIS

Utilisez les douze vis à bois no 12 x 63,5 mm po et les douze rondelles plates no 12 four-nies. Percez les avant-trous de 5 maximum de diamètre et assurez-vous que les vis pénètrent dans le revêtement de sol et le montant à une profondeur minimum de 19 mm Les vis doivent être solidement maintenues en place.

REMARQUE IMPORTANTE : Si les vis à bois ne rencontrent pas de poteau mural par l'un ou l'autre des orifices supérieurs du support antibasculement, utilisez plutôt les dix-huit vis à bois no 8 de 31,75 mm, l'entretoise plate no 12 et l'ancrage mural en nylon Zip-it fournis.

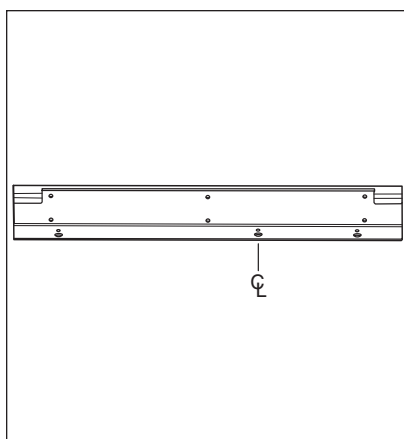
REMARQUE IMPORTANTE : Dans le cas de certaines installations, la chape ou le sol fini nécessitent que les vis à bois utilisées pour fixer le support antibasculement au mur soient posées en angle. Reportez-vous à l'illustration ci-après.

⚠ AVERTISSEMENT

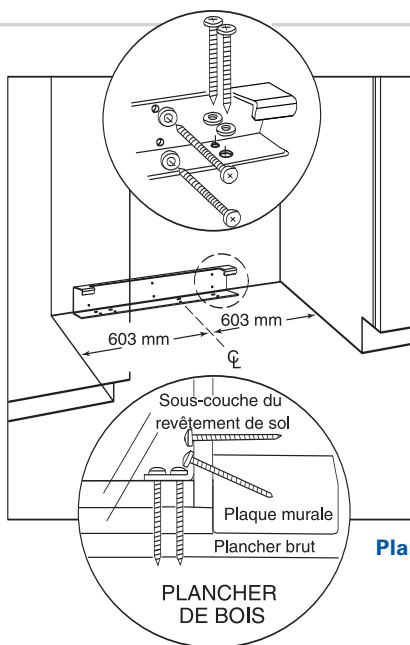
Pour éviter que le PRO 48 ne bascule vers l'avant et assurer la stabilité de l'installation, l'appareil doit être fixé à l'aide du support antibasculement fourni avec l'unité.

⚠ AVERTISSEMENT

Assurez-vous que la zone où vous travaillez est exempte de fils électriques ou de conduites de plomberie que les vis pourraient percer.



Axe du support antibasculement



Planchers de bois

**INSTALLATION DU SUPPORT
ANTIBASCULEMENT**

**APPLICATIONS POUR SOLS
EN BÉTON**

Utilisez les trois ancrages à cale pour sol en béton de 9,52 mm x 95,25 mm, les six vis à bois n° 12 de 63,50 mm et les six rondelles plates n° 12 fournies. Assurez-vous que les pièces d'ancrage et les vis sont solidement maintenues en place. Reportez-vous à l'illustration ci-après.

Utilisez les trois ancrages à cale pour sol en béton de 10 x 95,25 mm et les six rondelles plates no 12 fournies. Assurez-vous que les pièces d'ancrage et les vis sont solidement maintenues en place. Reportez-vous à l'illustration ci-après.

REMARQUE IMPORTANTE : Si les vis à bois ne rencontrent pas de poteau mural par l'un ou l'autre des orifices supérieurs du support antibasculément, utilisez plutôt les dix-huit vis à bois no 8 de 31,75 mm, l'entretoise plate no 12 et l'ancrage mural en nylon Zip-it fournis.

REMARQUE IMPORTANTE : Dans le cas de certaines installations, le support de revêtement de sol ou le revêtement de sol nécessite que les vis à bois utilisées pour fixer le support antibasculément au mur d'extrémité soient posées en angle. Reportez-vous à l'illustration ci-après.

⚠ AVERTISSEMENT

Assurez-vous que les vis ne vont pas rencontrer de fils électriques ou de conduites de plomberie qu'ils pourraient percer.

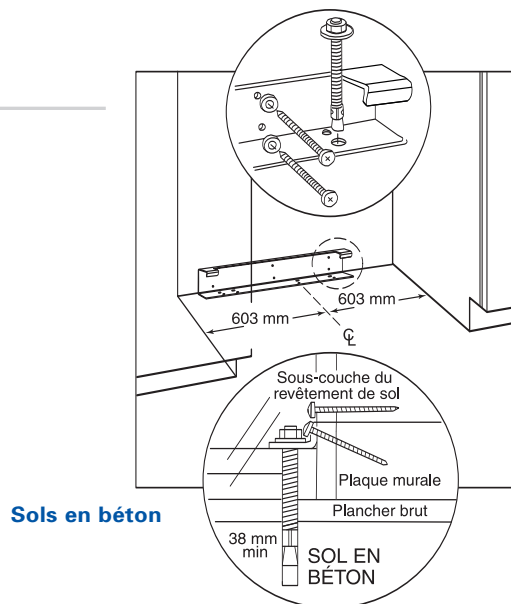
**INSTALLATION DES ANCRAGES
A CALE POUR SOLS EN BETON**

- 1) Percez un trou de 10 de diamètre à une profondeur excédant l'enfouissement minimum. Nettoyez le trou ou continuez à percer plus profond afin d'enfoncer les mèches fines. Utilisez une mèche à pointe de carbure.
- 2) Assemblez la rondelle et l'écrou de sorte qu'ils affleurent avec l'extrémité de l'ancrage afin de protéger les filets. Faites passer l'ancrage dans le matériau à fixer jusqu'à ce que la rondelle affleure avec le matériau de surface.
- 3) Étendez l'ancrage en serrant l'écrou de 3 à 5 tours après la position de serrage manuel ou à un couple de 33,90 N-m.

⚠ MISE EN GARDE

Mettez toujours des lunettes de sécurité et utilisez tout équipement ou vêtement de protection requis lorsque vous réalisez une pose ou un travail d'ancrage.

L'utilisation des ancrages n'est pas recommandée avec les matériaux de maçonnerie légers comme les blocs en béton ou les briques, ni dans le béton nouvellement coulé qui n'a pas eu le temps de vieillir. De plus, l'utilisation de dorets-élasteurs n'est pas recommandée pour percer des trous pour les ancrés.



DEPLACEMENT DU PRO 48

Après avoir exécuté les étapes de déballage de l'appareil PRO 48, enlevé la grille et installé le support antibasculement, placez avec précaution l'appareil sur le chariot pour appareils ménagers. Lorsque vous fixez l'appareil sur le chariot, placez les cornières de protection conservées au moment du déballage sous les attaches, afin d'éviter d'endommager l'extérieur en acier inoxydable. De plus, maintenez les portes et les tiroirs fermés à l'aide des attaches. Pour une mise en place adéquate sur le chariot pour appareils ménagers, reportez-vous à l'illustration ci-après.

REMARQUE IMPORTANTE : Protégez le revêtement de sol environnant avec un panneau dur, du contreplaqué, un panneau d'aggloméré de 3 mm ou autre matériau équivalent pour le passage de l'unité.

Avec précaution, mettez l'appareil PRO 48 en place à côté de l'ouverture dans laquelle il sera installé, et enlevez-le du chariot. L'appareil PRO 48 est équipé de roulettes et peut donc être mis en place plus facilement.

Rentrez complètement les pieds avant la mise à niveau afin de pouvoir mettre plus facilement l'appareil en place. Vous les ferez sortir et les ajusterez une fois que l'appareil sera en place.

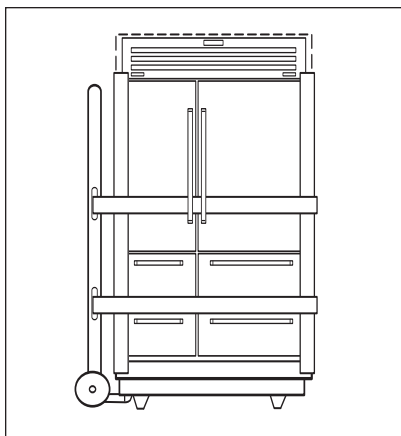
REMARQUE IMPORTANTE : Les vérins de calage arrière doivent être à la position la plus basse afin de permettre de repousser l'appareil dans l'ouverture. Par conséquent, la mise à niveau ne peut pas être exécutée tant que l'appareil n'est pas en place.

Coupez l'alimentation électrique à la prise murale. Branchez le cordon électrique dans la prise mise à la terre de 10 A et faites rouler l'appareil à sa place. Assurez-vous que le support antibasculement est correctement engagé.

REMARQUE IMPORTANTE : Si, pour quelque raison que ce soit, l'appareil a été couché sur sa partie arrière ou sur le côté, le laisser droit pendant au moins 24 heures avant de le raccorder à l'alimentation électrique.

⚠ AVERTISSEMENT

Le PRO 48 est très lourd – 401 ou 408 kg – assurez-vous de disposer de la main-d'oeuvre suffisante pour vous aider à déplacer et à mettre en place l'unité. Maintenez les portes et les tiroirs fermés lorsque vous déplacez l'unité.



Mise en place adéquate sur le chariot pour appareils ménagers.

RACCORDEMENT DE LA TUYAUSERIE D'ALIMENTATION D'EAU

Un tube de plastique de 0,9m environ et de 6,35 mm de diamètre est raccordé au distributeur de glaçons, à l'extrémité, au moyen d'un raccord à compression de 6,35 mm. Ce tube se trouve sous l'appareil.

Le kit de raccordement de tuyauterie d'eau, fourni avec l'appareil, contient une olive et un écrou à compression de 6,35 mm qui servent à raccorder l'appareil à la tuyauterie d'alimentation d'eau de la maison. Placez l'olive et l'écrou à compression sur la tuyauterie d'eau et fixez-les au raccord, à l'extrémité du tube qui se trouve sous l'unité. Ne serrez pas trop fort. Vérifiez tous les raccords pour déceler toutes fuites d'eau éventuelles. Assurez-vous que vous pouvez placer ou retirer le bac de vidange sans être gêné par la tuyauterie d'eau.

REMARQUE IMPORTANTE : Assurez-vous de purger la tuyauterie d'alimentation d'eau avant d'effectuer le raccordement final à l'unité, afin de supprimer les débris qui pourraient avoir pénétré dans le tube lors de l'installation de la nouvelle tuyauterie d'alimentation d'eau.

REMARQUE IMPORTANTE : Avisez le client que le distributeur de glaçons ne produira pas de glaçons immédiatement et qu'il devrait jeter le premier bac de glace. Il devrait attendre 48 heures de production de glaçons avant de jeter le premier bac.

MISE A NIVEAU DE L'UNITE

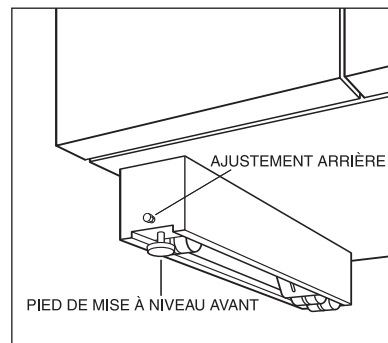
Une fois que l'unité est en place, faites sortir les pieds avant la mise à niveau en les faisant tourner dans le sens inverse des aiguilles d'une montre, et réglez la hauteur. Le réglage de la hauteur arrière peut s'effectuer à partir de l'avant de la base. Utilisez une douille de 8 mm pour régler les roulettes arrière. Tournez l'écrou hexagonal de 8 mm dans le sens des aiguilles d'une montre pour soulever l'unité ou dans le sens inverse pour l'abaisser.

Si l'appareil est correctement mis à niveau, vous ne devriez pas avoir à ajuster les portes et/ou les tiroirs. Pour repérer l'emplacement du dispositif d'ajustement de la base à roulettes arrière, reportez-vous à l'illustration ci-après.

REMARQUE IMPORTANTE : Assurez-vous de mettre à niveau l'appareil par rapport au sol et non par rapport à élément adjacent, ce qui pourrait avoir des conséquences néfastes sur le fonctionnement de l'appareil, notamment sur la fermeture des portes.

INSTALLATION DE LA PLINTHE DE BAS DE PORTE

Pour installer la plinthe de bas de porte, vissez-la sur les supports attachés à la surface intérieure de chaque base à roulettes.



Ajustement de la base à roulettes arrière

AJUSTEMENT DES PORTES

Assurez-vous que les portes sont correctement ajustées. Si ce n'est pas le cas, les ajustements peuvent être effectués aux charnières de meuble et de porte.

NOTE IMPORTANTE : Assurez-vous que l'appareil est correctement mis à niveau avant d'ajuster une charnière de porte ou de meuble.

AJUSTEMENT DE LA CHARNIERE DE MEUBLE

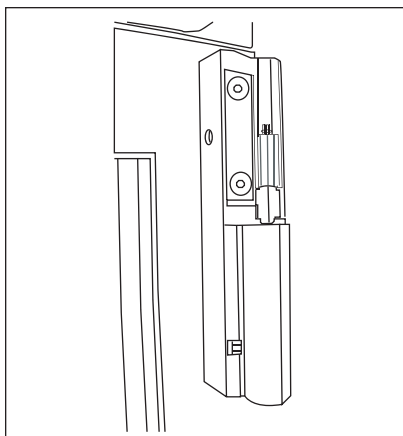
Vous devez enlever la porte pour pouvoir ajuster les charnières d'armoire. Pour ce faire, soulevez la partie de la grille supérieure destinée à la ventilation, ouvrez la porte à environ 45° et soulevez-la pour la dégager des charnières d'armoire. Retirez les broches de charnière.

Desserez les deux fixations de charnière de meuble en effectuant $\frac{1}{4}$ à $\frac{1}{2}$ tour. Reportez-vous à l'illustration ci-après. Réinstallez les broches de charnière et la porte. Ouvrez la porte à l'aide de la clé Allen fournie et tournez la vis de réglage pour replacer la charnière de meuble. Fermez la porte et vérifiez l'alignement. Répétez ces étapes jusqu'à ce que la porte soit correctement alignée.

Enlevez à nouveau la porte et les broches de charnière et serrez les deux fixations de charnière de meuble. Réinstallez les broches de charnière et la porte et fermez la partie de la grille supérieure destinée à la ventilation.

▲ MISE EN GARDE

Les broches de charnière pourraient s'enfoncer dans la porte plutôt que dans la charnière de meuble et tomber de la porte après quelques secondes, ce qui pourrait endommager le sol ou entraîner des blessures.



Ajustement de la charnière de meuble

AJUSTEMENT DES **PORTES**

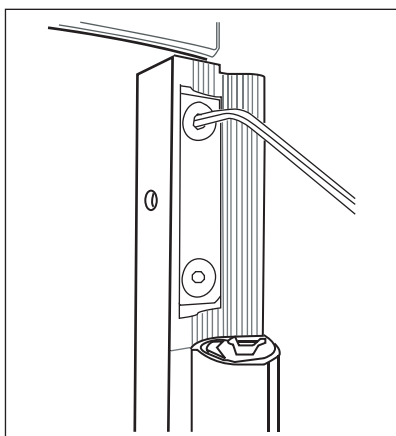
AJUSTEMENT DES CHARNIÈRES
DE PORTE

Vous devez enlever la porte pour pouvoir ajuster les charnières de porte. Pour ce faire, soulevez la partie de la grille supérieure destinée à la ventilation, ouvrez la porte à environ 45° et soulevez-la pour la dégager des charnières du meuble. Retirez les broches de charnière.

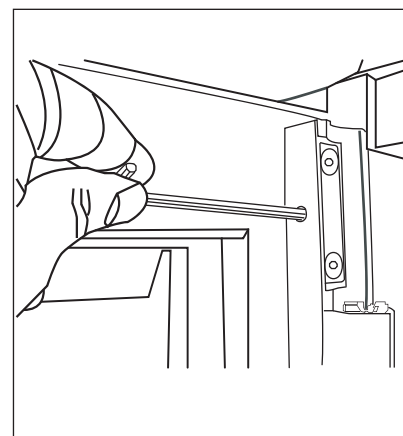
Desserez les deux fixations de charnière de porte, faites glisser la charnière à la position souhaitée et serrez à nouveau les fixations. Reportez-vous aux illustrations ci-après. Réinstallez les broches de charnière et la porte. Vérifiez l'alignement et le joint d'étanchéité. Fermez la partie de la grille supérieure destinée à la ventilation.

▲ MISE EN GARDE

Lorsque vous ajustez les charnières de meuble ou de porte, il est important que vous mainteniez les charnières parallèles à la paroi de la porte et au côté du meuble. L'interrupteur de porte ne fonctionnera pas si les charnières sont excessivement mal alignées, ce qui aura pour effet de maintenir les lumières allumées, d'empêcher le ventilateur de fonctionner, et à terme, d'élever les températures du meuble. Après avoir ajusté les charnières, vous devez donc vérifier si l'interrupteur de porte fonctionne correctement.



Ajustement de la charnière de porte



Ajustement de la charnière de porte

AJUSTEMENT DES TIROIRS

Assurez-vous que tous les tiroirs sont correctement ajustés. Si ce n'est pas le cas, il est possible de les ajuster verticalement et horizontalement.

AJUSTEMENT VERTICAL

Vous devez retirer le tiroir pour pouvoir effectuer les ajustements verticaux. Pour ce faire, tirez le tiroir complètement jusqu'à ce qu'il se bloque, soulevez de façon égale ses deux côtés avant et enlevez-le.

Désérrez les trois fixations de montage coulissantes du tiroir. A l'aide d'une clé à fourche de 11 mm, tournez la fixation d'ajustement à la position souhaitée et serrez à nouveau les fixations. Reportez-vous à l'illustration ci-après.

Pour réinstaller le tiroir, soulevez l'avant de celui-ci et placez-le sur les guides coulissants du tiroir. Assurez-vous d'engager l'avant de la coulisse du tiroir avec l'ensemble du tiroir.

Vérifiez l'alignement du ferme-tiroir automatique. Si le mentonnet du ferme-tiroir n'est pas aligné avec la broche de ce dernier, réglez la position du mécanisme de fermeture automatique.

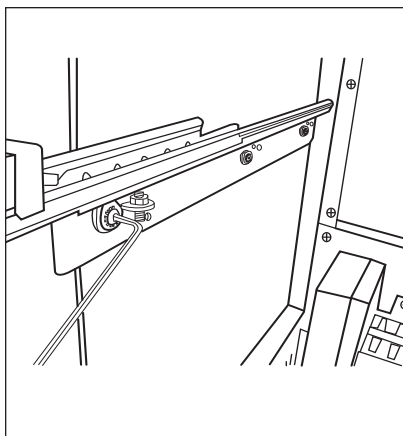
AJUSTEMENT HORIZONTAL

Vous devez retirer le tiroir pour pouvoir effectuer les ajustements horizontaux. Pour ce faire, tirez le tiroir complètement jusqu'à ce qu'il se bloque, soulevez de façon égale ses deux côtés avant et enlevez-le.

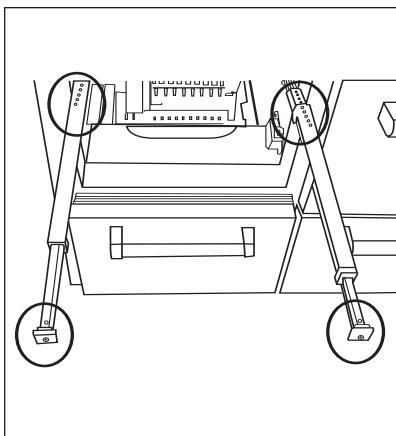
Desserez les vis se trouvant sur les deux coulisses avant, placez les cales d'ajustement à la position souhaitée et serrez à nouveau les vis. Reportez-vous à l'illustration ci-après.

Libérez la cale d'ajustement arrière en désengageant les cliquets. Déplacez la cale vers l'avant pour déplacer le tiroir vers la droite ou vers l'arrière pour déplacer le tiroir vers la gauche. Chaque cran déplace le tiroir de 0,8 mm. Reportez-vous à l'illustration ci-après. Enclenchez la cale sur les pattes situées sur l'ajusteur arrière. Les deux côtés doivent être déplacés dans la même direction.

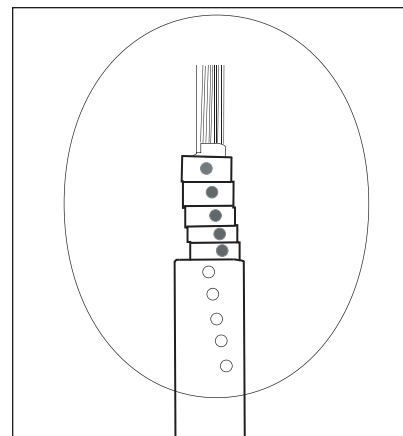
Pour réinstaller le tiroir, soulevez l'avant de celui-ci et placez-le sur les guides coulissants du tiroir. Assurez-vous d'engager l'avant de la coulisse du tiroir avec l'ensemble du tiroir.



Ajustement vertical du tiroir



Ajustement horizontal du tiroir



Ajustement horizontal du tiroir

LISTE DE CONTROLE DE
L'INSTALLATION

On ne soulignera jamais assez l'importance que revêt l'installation du Sub-Zero PRO 48. C'est au dépositaire qui vend l'appareil ou à l'installateur qu'incombe la responsabilité de l'installation.

REMARQUE IMPORTANTE : Pour s'assurer que l'installation est sûre et adéquate et qu'aucun détail n'a été négligé, la liste de contrôle suivante doit être établie par l'installateur.

Toutes questions ou problèmes en rapport avec l'installation doivent être adressés à votre dépositaire Sub-Zero. Vous pouvez également aller à la page « Locator » de notre site Internet, subzero.com, pour trouver les coordonnées du distributeur régional de chaque pays.

LISTE DE CONTROLE DE
L'INSTALLATION

- Le matériel d'emballage a-t-il été enlevé ?
- Des dommages ont-ils été constatés sur l'acier inoxydable ?
- Mettez l'appareil en marche. Fonctionne-t-il correctement ? Si ce n'est pas le cas, l'appareil est-il branché ? Le bouton de commande est-il sur ON ?
- La tuyauterie d'alimentation d'eau est-elle raccordée, exempte de fuite ?
- Le support antibasculement a-t-il été installé correctement ?
- L'appareil a-t-il été correctement mis à niveau, sur un sol compact et de niveau ?
- Le bac de vidange a-t-il été installé correctement ?
- La plynthe de bas de porte a-t-elle été installée ?
- Les vis de la grille ont-elles été remises en place ?
- Les portes et les tiroirs ont-ils été ajustés pour assurer un fonctionnement, une étanchéité et un alignement adéquats ? Est-ce que l'une des portes doit-être dotée d'un arrêt de porte à 90° ?
- Votre client comprend-il le fonctionnement de l'appareil ?
- L'alimentation d'eau a-t-elle été établie et le distributeur à glaçons mis en marche ?

SERVICE APRES-VENTE

Si vous avez besoin de contacter le service après-vente, assurez-vous de disposer du numéro de modèle et du numéro de série lorsque vous appelez. Vous trouverez ces numéros sur la plaque du numéro de modèle et du numéro de série qui se trouve sur le côté gauche du compartiment supérieur du tiroir du congélateur.

Pour obtenir les coordonnées du service après-vente de votre secteur, adressez-vous à votre dépositaire Sub-Zero ou consultez la page « Locator » de notre site Web, subzero.com, pour trouver le distributeur régional par pays.

PANNEAUX LATERAUX ET PAROIS SUPERIEURES

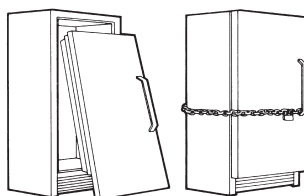
Vous pouvez vous procurer des panneaux latéraux et une paroi supérieure en acier inoxydable chez votre dépositaire Sub-Zero. Les instructions d'installation sont fournies avec les panneaux.

ARRET DE PORTE A 90 DEGRES

Les portes des modèles PRO 48 s'ouvrent à 135°. Un kit d'arrêt de porte à 90° est disponible en option chez votre dépositaire Sub-Zero.

⚠ AVERTISSEMENT

Si vous entreposez ou jetez votre ancien réfrigérateur ou congélateur, veuillez procéder en toute sécurité. Enlevez les portes ou maintenez-les bien fermées, afin d'éviter tout accident tragique d'enfant coincé à l'intérieur de l'appareil.



Les informations et les images contenues dans ce manuel sont protégées par des droits d'auteur et sont la propriété de Sub-Zero Freezer Company, Inc. Elles ne peuvent être copiées ou utilisées, en partie ou en totalité, sans l'autorisation écrite expresse de Sub-Zero Freezer Company, Inc.

©Sub-Zero Freezer Company, Inc. Tous droits réservés.

PRO
48



Man mano che seguite queste istruzioni, noterete dei simboli di **PERICOLO** e **ATTENZIONE**. Queste informazioni evidenziate sono importanti per l'installazione sicura ed efficiente del modello Sub-Zero. Durante l'installazione sarete esposti a due potenziali pericoli.

⚠ ATTENZIONE

Segnala una situazione con possibili lesioni minori o danni al prodotto qualora non ci si attenga a queste istruzioni.

⚠ AVVERTENZA

Indica un pericolo che potrebbe causare gravi lesioni o morte, qualora non ci si attenga alle precauzioni.

Un'altra nota in calce che troverete è **NOTA IMPORTANTE**: evidenzia informazioni di particolare importanza per un'installazione senza problemi.

CONSIGLI PER L'INSTALLAZIONE

L'importanza di una corretta installazione del modello Sub-Zero PRO 48 non può essere mai sottovalutata. La procedura di installazione va completata da personale qualificato.

Prima di cominciare l'installazione, consigliamo di leggere queste istruzioni per l'installazione nella loro interezza. Esse contengono infatti dettagli chiave da considerare con attenzione durante l'installazione. Leggendo con attenzione queste istruzioni l'installazione risulterà più semplice, senza problemi e decisamente più sicura.

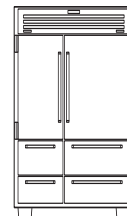
L'installazione è identica per entrambi i modelli ICB648PROG con porta in vetro per il comparto frigorifero superiore e ICB648PRO con porta solida.

In caso di domande o problemi con l'installazione rivolgersi al proprio rivenditore Sub-Zero oppure consultare il nostro sito Web, subzero.com, per trovare i distributori di zona in base al Paese.

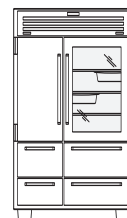
ATTREZZI E MATERIALE RICHIESTI

Segue elenco di attrezzi e materiali da avere a disposizione per la corretta installazione dell'unità PRO 48.

- Serie di cacciavite a croce
- Serie di cacciavite a taglio
- Chiave dinamometrica
- Il tubo da 6,35 mm di pollice fornito insieme al frigorifero per il collegamento idrico e la predisposizione di un rubinetto 9,525 mm uscita femmina per il collegamento alla rete idrica #4200880 (non usare valvola auto-perforanti)
- Taglierina per tubi in rame
- Si consiglia una leva da 0,6 m e 1,2 m
- Carrello per elettrodomestici in grado di sostenere 454 kg e personale adeguato al peso del frigorifero
- Pinze di varia misura
- Serie di chiavi
- Serie di chiavi brugola
- Chiave a tubo esagonale da 11 mm di pollice
- Pappagallo
- Trapano a batteria e punte da trapano di varie misure
- Un pannello di masonite o di legno compensato, o una tavola in fibre pressate da 3,175 mm di pollice, o del cartone o qualsiasi altro materiale adeguato per il pavimento
- Materiale adeguato per coprire e proteggere cose e mobili durante l'installazione



**Modello
ICB648PRO**



**Modello
ICB648PROG
con porta in vetro**

DIMENSIONI D'INGOMBRO
**MODELLI ICB648PRO E
ICB648PROG**

Larghezza totale	1219 mm
Altezza totale	134 mm
Profondità dietro la cornice (installazione standard)	606 mm
Profondità fino alla parte frontale della cornice (installazione a filo)	657 mm
Profondità incluse le maniglie	766 mm
Ingombro porta (frigorifero)	730* mm
Ingombro porta (freezer)	521* mm
Peso lordo – ICB648PRO	401 kg
Peso lordo – ICB648PROG	408 kg

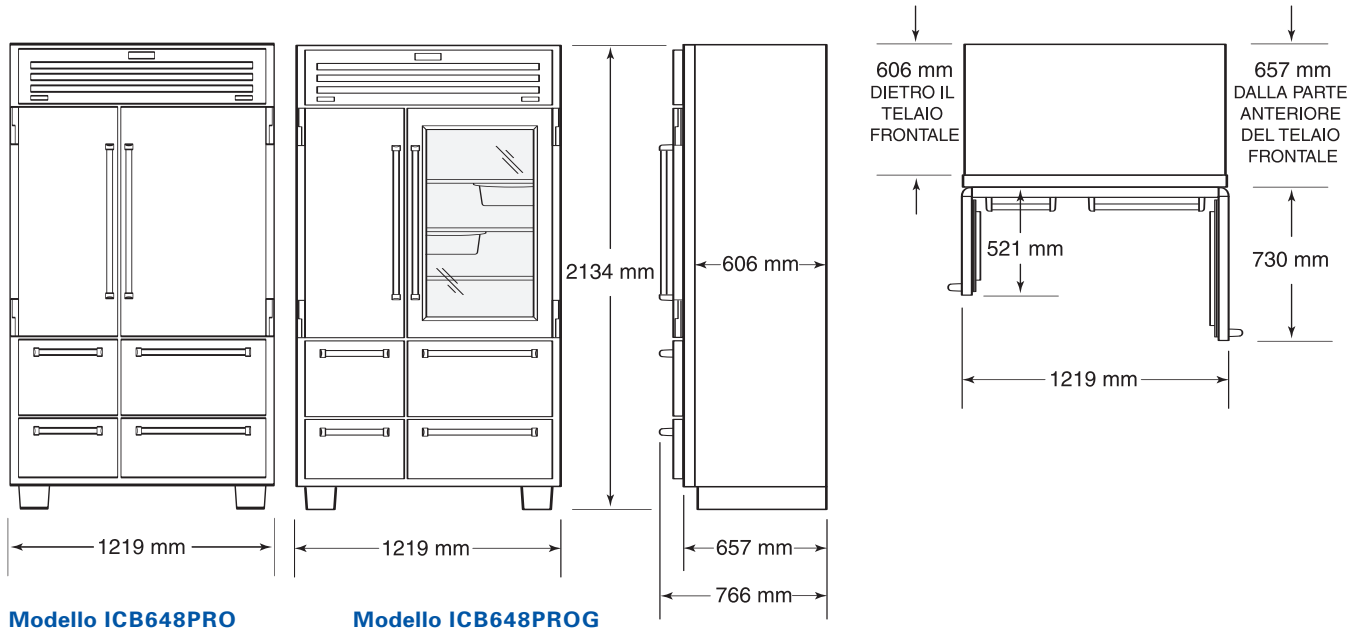
**Considerare 51 mm in più di ingombro della porta
nel caso di installazione standard.*

Le dimensioni variano di ± 3 mm.

NOTA IMPORTANTE: il modello ICB648PROG ha la porta in vetro nel comparto frigorifero superiore, mentre il modello ICB648PRO ha la porta solida. Tutte le dimensioni d'ingombro e le dimensioni per l'installazione sono identiche in ogni modello PRO 48.

DIMENSIONI D'INGOMBRO

Dimensioni vista fronte, vista lato e vista sopra per i modelli ICB648PRO e ICB648PROG.



SPECIFICHE PER L'INSTALLAZIONE

Il modello PRO 48 può essere installato come un prodotto da libera installazione oppure incassato nel modo standard oppure incassato con la cornice frontale a filo. Per le installazioni ad incasso standard, la cornice frontale del frigorifero fuoriesce di 51 mm rispetto ai mobili della cucina. Nelle installazioni ad incasso a filo, la parte anteriore del telaio frontale risulta a filo con i mobili circostanti.

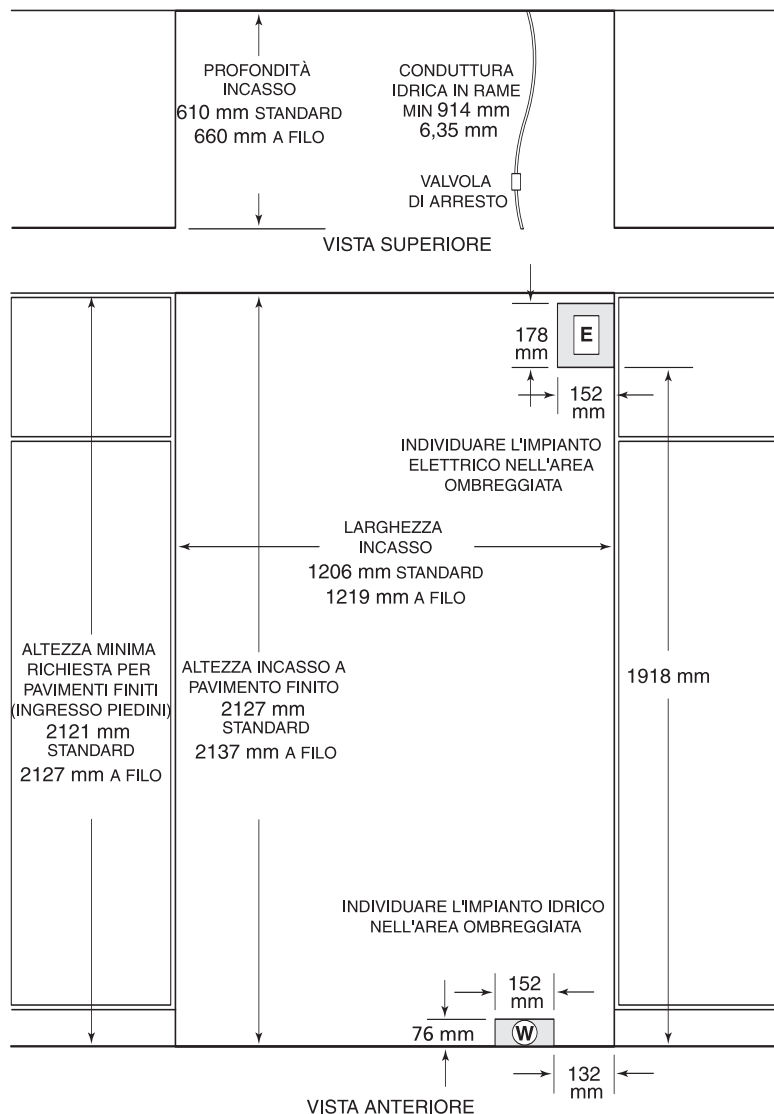
Per le installazioni ad incasso, accertarsi che l'incasso finito in cui viene installato il frigorifero sia preparato correttamente. Consultare le specifiche per l'installazione per accertarsi che le dimensioni dell'apertura, l'impianto elettrico ed idraulico siano corretti.

NOTA IMPORTANTE: per un utilizzo corretto le porte devono potersi aprire di almeno 90 gradi. Se l'installazione avviene a lato di una parete lasciare a lato del frigorifero uno spazio sufficiente per consentire l'apertura della porta. Lasciare spazio sufficiente davanti al frigorifero per consentire l'apertura totale delle porte.

NOTA IMPORTANTE: accertarsi che il pavimento sotto il frigorifero sia perfettamente piano e che sia in grado di sostenere il peso del frigorifero di — 401 kg o 408 kg.

SPECIFICHE PER L'INSTALLAZIONE

Installazione standard o a filo per i modelli ICB648PRO e ICB648PROG.



MODELLI ICB648PRO E ICB648PROG

Larghezza incasso (installazione standard)	1206 mm
Larghezza incasso (installazione a filo)	1219 mm
Altezza incasso (installazione standard)	2127 mm
Altezza incasso (installazione a filo)	2137 mm
Altezza minima richiesta (per pavimenti finiti)	2121 mm
Profondità incasso (installazione standard)	610 mm
Profondità incasso (installazione a filo)	660 mm

Le dimensioni sono relative al vano incasso finito.

COLLEGAMENTO **ELETTRICO**

Predisporre una presa di corrente da 220-240 V c.a., 50/60 Hz, 10 ampere collegata ad un interruttore automatico. È necessario predisporre un circuito elettrico dedicato per questo elettrodomestico. Predisporre la presa di corrente all'interno dell'area ombreggiata riportata nella figura della pagina precedente.

Il modello PRO 48 è dotato di un cavo di alimentazione con una spina tipo shuko, che va inserita in una presa a parete con messa a terra. Durante l'installazione della presa, attenersi alle disposizioni locali esistenti.

NOTA IMPORTANTE: si sconsiglia l'utilizzo di un interruttore automatico salvavita (GFCI), che potrebbe causare problemi di funzionamento.

NOTA IMPORTANTE: il modello PRO 48 è dotato di un dispositivo che favorisce la sostituzione del cavo di alimentazione. Questo dispositivo si trova nella parte superiore del frigorifero in corrispondenza del vano compressore.

⚠ AVVERTENZA

Non usare prolunghe o riduttori per la spina. Questo elettrodomestico richiede la messa a terra. Non rimuovere il polo di messa a terra del cavo di alimentazione.

⚠ ATTENZIONE

La presa di corrente va controllata da un elettricista qualificato per accertarsi che sia collegata con la polarità giusta. Controllare che la presa di corrente sia da 220 volt e con messa a terra adeguata.

⚠ AVVERTENZA

Prima di eseguire un'operazione di installazione, riparazione o manutenzione, togliere sempre corrente dall'elettrodomestico.



Pericolo di scossa elettrica

Collegare il cavo di alimentazione direttamente alla presa tripolare con messa a terra.
 Non rimuovere il terzo polo.
 Non usare un riduttore o una prolunga.
 La mancata osservanza di queste istruzioni potrebbe causare gravi danni o morte.

Consultare le istruzioni per l'installazione

COLLEGAMENTO IDRICO

Il modello PRO 48 è dotato di fabbricatore di ghiaccio automatico. Questo impianto funziona con una pressione idrica compresa tra 1,4 bar e 8,3 bar.

Tracciare la linea di fornitura dell'acqua fredda utilizzando il tubo in rame fornito 6,35 mm. Il tubo per l'allacciamento va fatto passare lungo il pavimento entro 13 mm dalla parete posteriore e non a più di 76 mm sopra il pavimento. Per attraversare la parete, accertarsi che la conduttura idrica non sia a più di 76 mm dal pavimento.

Indipendentemente da dove arriva il tubo per l'allacciamento idrico, prevedere almeno 0,9 m di tubo sporgente dalla parete posteriore per facilitare la connessione al frigorifero. Prevedere l'arrivo del tubo per l'allacciamento idrico in corrispondenza dell'area ombreggiata indicata nell'immagine della pagina precedente.

Predisporre un rubinetto 9,525 mm femmina, in una posizione facilmente accessibile, dove collegare l'altra estremità del tubo di allacciamento. Non usare valvole auto-perforanti. Il kit valvole a sella (n. di parte #4200880) sono disponibili presso i rivenditori Sub-Zero.

Si sconsiglia di collegare il fabbricatore di ghiaccio ad un addolcitore. Le sostanze chimiche utilizzate in un addolcitore come per esempio il sale che arriva da un addolcitore mal funzionante, possono danneggiare il fabbricatore e rendere il ghiaccio di qualità scarsa. Qualora non sia possibile evitare l'uso di un addolcitore, accertarsi di tenerlo sempre pulito ed operante correttamente.

NOTA IMPORTANTE: non usare con acqua microbiologicamente pericolosa o di qualità non nota senza adeguata disinfezione a valle e a monte dell'impianto. È possibile usare impianti certificati per la riduzione di cisti in acque già disinfettate che potrebbero contenere cisti filtrabili.

NOTA IMPORTANTE: tutte le installazioni devono essere conformi alle normative locali vigenti.

NOTA IMPORTANTE: è possibile usare un impianto ad osmosi inversa, ammesso che vi sia sempre una pressione dell'acqua compresa tra 1,4 bar e 8,3 bar

DISIMBALLAGGIO DEL MODELLO PRO 48

Togliere l'imballo e controllare che non vi siano danni. Togliere la base in legno e gettare i bulloni e le piastre di fissaggio che tengono la base in legno fissa al fondo del frigorifero. Ribaltare leggermente il frigorifero su entrambi i lati per togliere le imbottiture in polistirolo sotto la base. Togliere e gettare tutto il materiale di imballaggio.

NOTA IMPORTANTE: Non buttate lo zoccolo, la barra antiribaltamento, la viteria e le protezioni angolari. Tutti questi componenti saranno necessari per l'installazione.

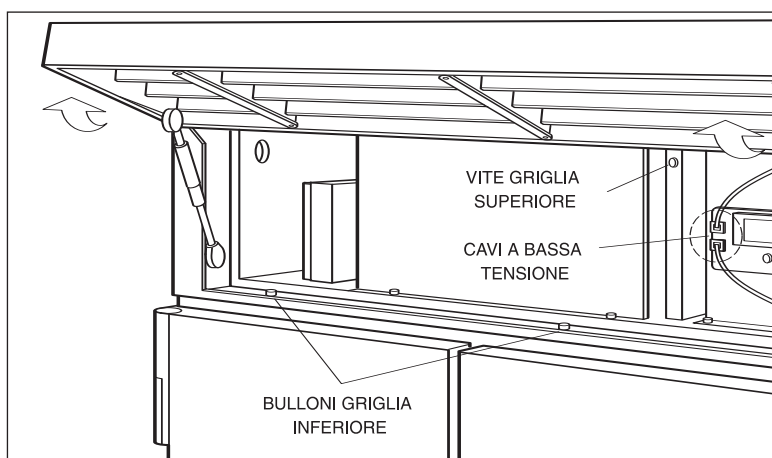
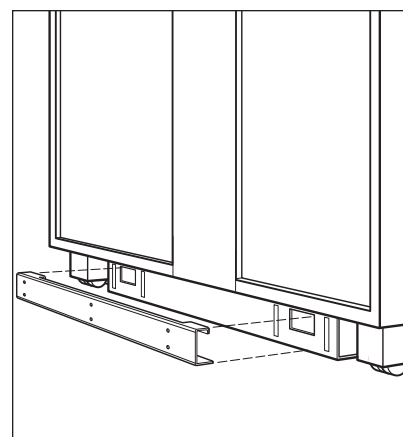
RIMOZIONE DELLA GRIGLIA

Al fine di prevenire danni alla griglia, rimuovere il gruppo griglia superiore prima di spostare il frigorifero.

Per rimuovere il gruppo griglia, estrarre il bordo inferiore della griglia e ribaltare il telaio della griglia in avanti. Scollegare il cavo a bassa tensione che collega il display della temperatura esterna sulla griglia al modulo di visualizzazione, e tagliare le due fascette bianche che fissano il cavo della rete al supporto della griglia destro. Dopo aver installato il frigorifero, usare le fascette extra fornite. Togliere i tre bulloni da 11 mm dalla base della griglia. Togliere la vite dalla griglia superiore e staccare la griglia. Vedere l'illustrazione che segue.

INSTALLAZIONE DELLA BARRA ANTIRIBALTAMENTO
VITERIA ANTIRIBALTAMENTO IN DOTAZIONE

12	Viti per legno #12 x 63,5 mm	6201190
3	Tasselli 9,52 mm x 95,25 mm	6110620
12	Rondelle piatte #12	6240040
3	Viti #8-18 x 31,75 mm	6201520
3	Ancore in nylon a muro	6160390


Rimozione della griglia

Allineamento della barra antiribaltamento

NOTA IMPORTANTE: l'utilizzo della barra antiribaltamento è estremamente importante per garantire un'installazione stabile. Installarla esattamente a 660 mm dalla parte anteriore della cornice frontale del frigorifero al retro della barra antiribaltamento. La linea di allineamento sulla flangia inferiore della barra antiribaltamento deve essere centrata con l'apertura dell'incasso. Il posizionamento errato della barra antiribaltamento impedirebbe l'aggancio al frigorifero. Accertarsi che la barra antiribaltamento sia installata su una base sicura. Vedere l'illustrazione che segue.

NOTA IMPORTANTE: per garantire un'installazione sicura, accertarsi di usare la viteria della barra antiribaltamento così come indicato nelle istruzioni per pavimenti in legno o cemento per un fissaggio adeguato.

⚠ AVVERTENZA

Per impedire che il frigorifero PRO 48 si ribalti in avanti e garantire un'installazione stabile, il frigorifero va fissato in posizione con la barra antiribaltamento fornita insieme al frigorifero.

APPLICAZIONE PER PAVIMENTI IN LEGNO

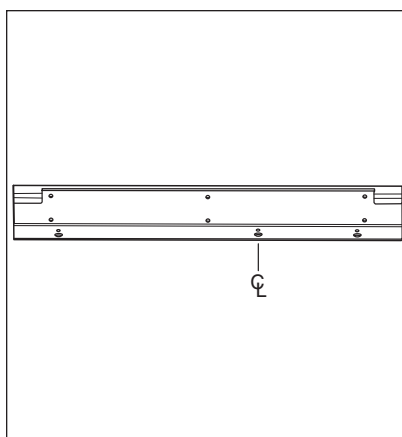
Usare le 12 viti per legno # 12 x 63,5 mm e le 12 rondelle piatte #12 in dotazione. Praticare dei fori pilota con diametro massimo da 5 mm ed accertarsi che le viti penetrino attraverso il pavimento e nella parete per almeno 19 mm. Accertarsi che le viti siano ben serrate. Vedere l'illustrazione qui sotto.

NOTA IMPORTANTE: se le viti per legno non entrano nella parete, usare la vite #8-18 x 31,75 mm, la rondella piatta #12 e l'ancora a muro in nylon in dotazione.

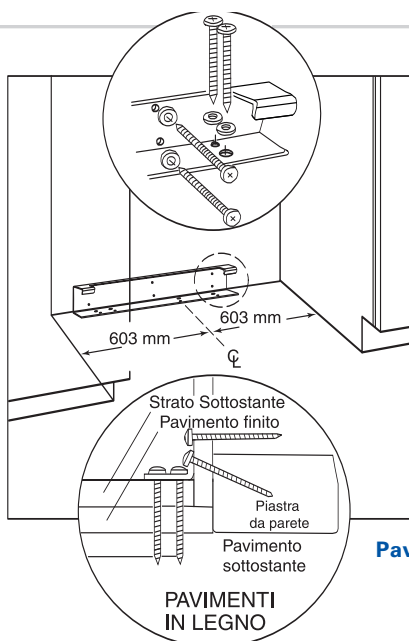
NOTA IMPORTANTE: in alcune installazioni potrebbe essere necessario inclinare le viti per legno usate per fissare la barra antiribaltamento e penetrare nella parete posteriore. Vedere l'illustrazione qui sotto.

⚠ AVVERTENZA

Accertarsi che non vi siano cavi elettrici o tubi dell'acqua nell'area attraversata dalle viti.



Allineamento della barra antiribaltamento



Pavimenti in legno

INSTALLAZIONE DELLA **BARRA ANTIRIBALTAMENTO**

APPLICAZIONE PER PAVIMENTI IN CEMENTO

Usare tre tasselli da 10 x 95,25 mm, le sei viti per legno # 12 x 63,5 mm e le sei rondelle piatte # 12 in dotazione. Accertarsi che i tasselli e le viti siano ben serrati. Vedere l'illustrazione qui sotto.

NOTA IMPORTANTE: se le viti per legno non entrano nella parete, usare la vite #8-18 x 31,75 mm, la rondella piatta # 12 e l'ancora a muro in nylon in dotazione.

NOTA IMPORTANTE: in alcune installazioni potrebbe essere necessario inclinare le viti per legno usate per fissare la barra antiribaltamento alla parete posteriore. Vedere l'illustrazione qui sotto.

⚠ AVVERTENZA

Accertarsi che non vi siano cavi elettrici o tubi dell'acqua nell'area attraversata dalle viti.

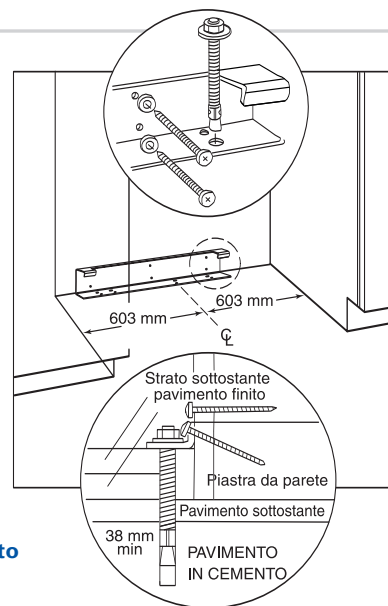
INSTALLAZIONE DEI TASSELLI PER CEMENTO

- 1) Praticare un foro con diametro da 10 mm e profondità che superi l'incasso minimo. Pulire il foro o continuare a perforare più in profondità per depositare la polvere. Usare una punta al carburo.
- 2) Montare la rondella ed il dado a filo con l'estremità del tassello per proteggere i filetti. Inserire il tassello attraverso il materiale da fissare fin quando la rondella non si trova a filo con il materiale in superficie.
- 3) Stringere il tassello di 3-5 giri oltre la posizione di serraggio a mano o con una chiave.

⚠ ATTENZIONE

Indossare sempre occhiali di sicurezza ed usare tutte le precauzioni del caso durante l'installazione.

I tasselli sono sconsigliati nel caso di pareti realizzate con materiale per muratura leggera, ad esempio blocchi o mattoni, o con cemento fresco. Non si consiglia l'uso di una sonda campionatrice per praticare i fori per i tasselli.



Pavimenti in cemento

SPOSTAMENTO DELL'UNITÀ **PRO 48**

Dopo aver completamente disimballato il frigorifero **PRO 48**, rimosso la griglia ed installato la barra antiribaltamento, spostare con cura il frigorifero con un carrello per elettrodomestici. Al momento di fissare il frigorifero sul carrello, usare le protezioni angolari tenute dall'imballaggio originale ed inseritele sotto le cinghie per evitare di danneggiare l'esterno in acciaio. Chiudere con le cinghie anche le porte ed i cassetti. Vedere l'illustrazione seguente per il corretto posizionamento del carrello per elettrodomestici.

NOTA IMPORTANTE: proteggere il pavimento finito circostante con pannelli di masonite o di legno compensato o in fibre pressate da 3 mm o qualsiasi altro materiale adeguato prima di spostare il frigorifero.

Posizionare con cura il frigorifero **PRO 48** in prossimità dell'incasso e toglierlo dal carrello. Il frigorifero **PRO 48** è dotato di rulli per favorirne il posizionamento.

Sollevarlo completamente i piedini di livellamento anteriori per favorire il posizionamento del frigorifero. Con il frigorifero in posizione, abbassare i piedini e regolare.

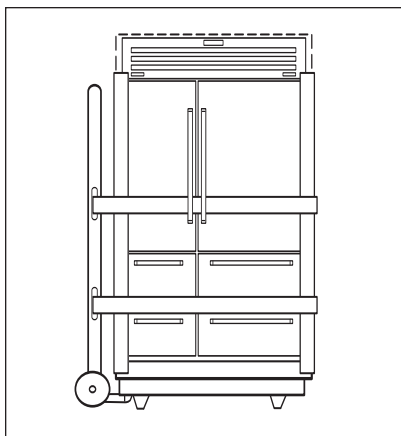
NOTA IMPORTANTE: i piedini di livellamento posteriori devono essere nella posizione più bassa per consentire di spingere il frigorifero nell'incasso. Non è possibile pertanto completare il livellamento fin quando il frigorifero non è in posizione.

Togliere corrente dalla presa a parete. Inserire il cavo di alimentazione in una presa da 10 ampere con messa a terra e spingere il frigorifero in posizione. Accertarsi che la barra antiribaltamento sia ben agganciata.

NOTA IMPORTANTE: se per qualche motivo il frigorifero è stato tenuto o appoggiato di lato, attendere che sia rimasto in posizione verticale per almeno 24 ore prima di accenderlo.

AVVERTENZA

Il modello PRO 48 è molto pesante: 401 kg o 408 kg; accertarsi di disporre di personale adeguato per spostarlo e posizionarlo. Prima di spostare il frigorifero, bloccare porte e cassetti.



Posizionamento corretto del carrello per elettrodomestici

COLLEGAMENTO IDRICO

Al fabbricatore di ghiaccio è connesso un tubo in plastica di circa 0,9 m di lunghezza e sezione da 6,35 mm; all'estremità del tubo si trova un connettore da 6,35 mm. Questo tubo si trova sotto il frigorifero.

Il kit di connessione per raccordi delle tubazioni idriche, in dotazione al frigorifero, contiene una ogiva da 6,35 mm ed un dado da 6,35 mm per il collegamento del tubo di allacciamento. Posizionare il dado e l'ogiva sul tubo per l'allacciamento e collegarlo al tubo del fabbricatore. Non stringere troppo il dado. Controllare che i raccordi non perdano. Accertarsi che la vaschetta raccoglicondensa possa essere installata o rimossa senza interferire con la condotta idrica.

NOTA IMPORTANTE: accertarsi di spurgare il tubo di allacciamento prima di effettuare la connessione finale al frigorifero. Così facendo si eliminano eventuali detriti presenti nel tubo a seguito dell'installazione della nuova condotta idrica.

NOTA IMPORTANTE: informare il cliente che il fabbricatore di ghiaccio non produce ghiaccio immediatamente e che si consiglia di gettare il primo cassetto di ghiaccio. Attendere 48 ore che si formi il ghiaccio prima di gettare via il primo cassetto.

LIVELLAMENTO DEL FRIGORIFERO

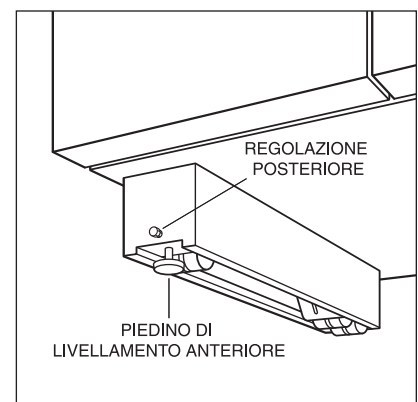
Con il frigorifero in posizione, abbassare i piedini di livellamento anteriori ruotandoli in senso antiorario e regolare l'altezza. La regolazione dell'altezza posteriore può essere effettuata dalla parte anteriore della base. Usare una chiave a tubo da 8 mm per regolare i rulli posteriori. Ruotare il bullone esagonale da 8 mm in senso orario per sollevare l'unità, in senso antiorario per abbassarla.

Quando l'unità è a livello, o a squadra, non dovrebbe essere necessario regolare le porte e/o i cassetti. Vedere l'illustrazione seguente per la regolazione della base dei rulli posteriori.

NOTA IMPORTANTE: accertarsi di livellare l'unità rispetto al pavimento e non rispetto ai pensili circostanti. In caso contrario si rischia di compromettere il funzionamento dell'unità (ad esempio, le porte potrebbero non aprirsi correttamente).

INSTALLAZIONE DELLO ZOCCOLO

Per installare, avvitare lo zoccolo sulle piastre fissate alla superficie interna della base dei rulli.



Regolazione della base dei rulli posteriori

REGOLAZIONE DELLE PORTE

Controllare che entrambe le porte siano regolate correttamente. In caso contrario, regolare i cardini del mobile e delle porte.

NOTA IMPORTANTE: accertarsi che il frigorifero sia a livello prima di regolare i cardini del mobile o delle porte.

REGOLAZIONE DEI CARDINI DEL MOBILE

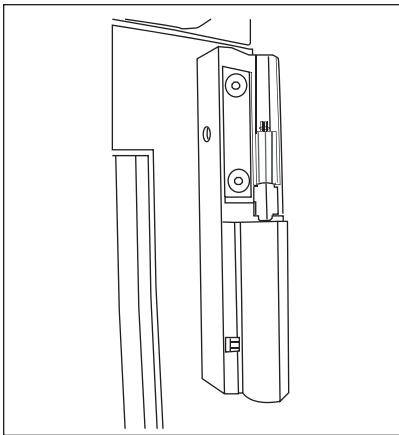
Per regolare i cardini del mobile occorre staccare la porta. Per staccare la porta, sollevare la griglia superiore, aprire la porta di circa 45 gradi e sollevarla dai cardini. Togliere i perni dei cardini.

Allentare i due fissaggi dei cardini del mobile di $\frac{1}{4}$ o $\frac{1}{2}$ di giro. Vedere l'illustrazione qui sotto. Rimontare i perni dei cardini e la porta. Aprire la porta e con la chiave brugola in dotazione, ruotare la vite di registro quanto basta per riposizionare il cardine del mobile. Chiudere la porta e controllare l'allineamento. Ripetere le fasi fino al completo allineamento della porta.

Togliere la porta ed i perni dei cardini e serrare i due fissaggi dei cardini. Reinstallare i perni dei cardini e la porta e chiudere la griglia superiore.

⚠ ATTENZIONE

I perni dei cardini potrebbero attaccarsi alla porta anziché ai cardini del mobile, staccandosi dopo alcuni secondi, con danni al pavimento o lesioni a persone.



Regolazione dei cardini del mobile

REGOLAZIONE DELLE **PORTE**

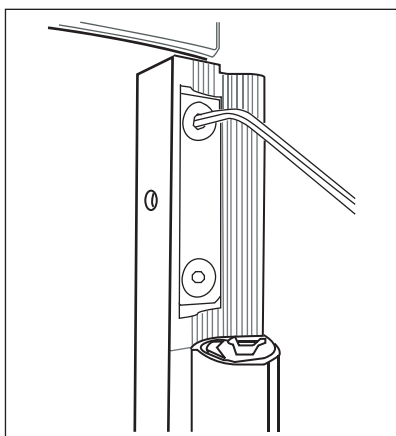
REGOLAZIONE DEI CARDINI DEL MOBILE

Per regolare i cardini della porta occorre staccare la porta. Per staccare la porta, sollevare la griglia superiore, aprire la porta di circa 45 gradi e sollevarla dai cardini. Togliere i perni dei cardini.

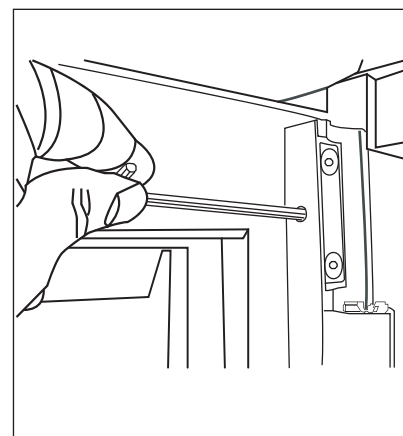
Allentare i due fissaggi, far scorrere il cardine sulla posizione desiderata e serrare nuovamente i fissaggi. Vedere l'illustrazione che segue. Rimontare i perni dei cardini e la porta. Controllare l'allineamento e la tenuta della porta. Chiudere la griglia superiore.

⚠ ATTENZIONE

Durante la regolazione dei cardini del mobile e delle porta, tenere i cardini paralleli alla superficie della porta e lateralmente al mobile. L'interruttore della porta non funziona se i cardini non sono allineati correttamente; di conseguenza le luci restano accese e la ventola non funziona. Questo causa l'aumento della temperatura del mobile. Dopo aver regolato i cardini, controllare che l'interruttore della porta funzioni correttamente.



Regolazione dei cardini della porta



Regolazione dei cardini della porta

REGOLAZIONE DEI **CASSETTI**

Controllare che tutti i cassettei siano regolati correttamente. In caso contrario, regolare i cassettei in senso verticale ed orizzontale.

REGOLAZIONE VERTICALE

Per effettuare regolazioni in senso verticale occorre rimuovere il cassetto. Per togliere il cassetto, tirarlo in fuori fin quando non si arresta, sollevarlo da entrambi i lati dalla parte anteriore ed estrarlo.

Allentare i tre fissaggi del meccanismo scorrevole del cassetto. Con una chiave da 11 mm, ruotare il fissaggio di registro sulla posizione desiderata e serrare nuovamente i fissaggi. Vedere l'illustrazione qui.

Per rimontare il cassetto, sollevarne la parte anteriore e posizionarla sui binari scorrevoli del cassetto. Accertarsi di agganciare la parte anteriore del meccanismo scorrevole con il cassetto.

Controllare l'allineamento del meccanismo di chiusura automatica del cassetto. Se l'aggancio non si allinea con il perno di chiusura, regolare la posizione del meccansimo di chiusura automatica.

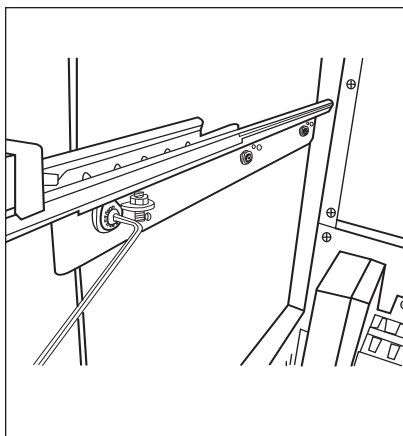
REGOLAZIONE ORIZZONTALE

Per effettuare regolazioni in senso orizzontale occorre rimuovere il cassetto. Per togliere il cassetto, tirarlo in fuori fin quando non si arresta, sollevarlo da entrambi i lati dalla parte anteriore ed estrarlo.

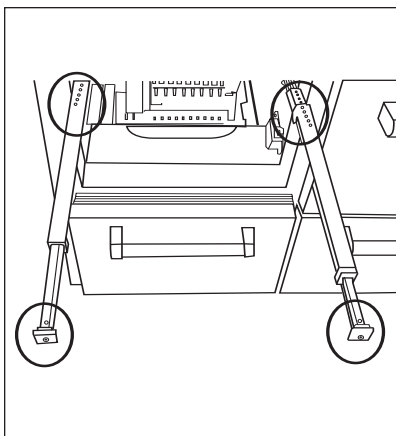
Allentare le viti sui due meccansimi scorrevoli anteriori, quindi spostare i blocchi di regolazione sulla posizione desiderata e serrare nuovamente le viti. Vedere l'illustrazione qui sotto.

Rilasciare il blocco di regolazione posteriore sganciando gli scatti. Spostare in avanti il blocco per spostare il cassetto a destra, indietro per spostarlo a sinistra. Ciascuna posizione sposta il cassetto di 0,8 mm. Vedere l'illustrazione qui sotto. Far scattare il blocco sui perni situati sul registro posteriore. Entrambi i lati vanno spostati nella stessa direzione.

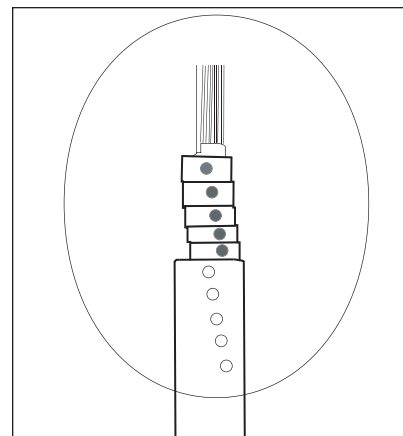
Per rimontare il cassetto, sollevarne la parte anteriore e posizionarla sui binari scorrevoli del cassetto. Accertarsi di agganciare la parte anteriore del meccanismo scorrevole con il cassetto.



Regolazione verticale dei cassettei



Regolazione orizzontale dei cassettei



Regolazione orizzontale dei cassettei

CHECK LIST PER **L'INSTALLAZIONE**

L'importanza di una corretta installazione delle unità Sub-Zero PRO 48 non può essere mai sottovalutata. Un'installazione corretta è responsabilità del concessionario che vende l'unità o di chi la installa.

NOTA IMPORTANTE: per garantire un'installazione sicura ed adeguata, l'addetto all'installazione dovrà completare la seguente check list per accertarsi che non venga dimenticato nulla.

In caso di domande o problemi con l'installazione rivolgersi al proprio rivenditore Sub-Zero oppure passare alla pagina di ricerca del nostro sito Web, subzero.com, per trovare i distributori di zona in base al Paese.

CHECK LIST PER L'INSTALLAZIONE

- Il materiale di imballaggio è stato rimosso?
- Si sono notati danni all'acciaio inossidabile?
- Accendere l'unità. Funziona correttamente? In caso contrario, è collegata all'alimentazione? Il pulsante di controllo è acceso?
- La conduttura idrica è collegata e non perde?
- La barra antiribaltamento è stata installata bene?
- L'unità è livellata correttamente su un pavimento sicuro ed in piano?
- La vaschetta raccogli condensa è stata installata correttamente?
- La protezione è installata?
- Le viti della griglia sono state rimontate?
- Le porte ed i cassetti sono regolati per un funzionamento sicuro, con tenuta ed allineamento adeguati? Una delle porte ha bisogno di un fermaporta a 90 gradi?
- Il cliente comprende il funzionamento dell'unità?
- Il collegamento idrico è attivato ed il fabbricatore del ghiaccio è acceso?

**INFORMAZIONI PER IL SERVIZIO
DI ASSISTENZA**

Per ottenere assistenza, prima di chiamare accertarsi di avere a disposizione il numero di modello o di serie. Questi numeri sono riportati sulla piastrina situata sul lato sinistro del comparto con cassetti del freezer superiore.

Per l'assistenza in zona, rivolgersi al proprio rivenditore Sub-Zero oppure andare alla pagina di ricerca del nostro sito Web, subzero.com, per trovare i distributori di zona in base al Paese.

PANNELLI LATERALE E SUPERIORE

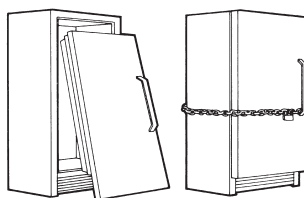
I pannelli accessori laterale e superiore in acciaio inossidabile sono disponibile presso i rivenditori Sub-Zero. Le istruzioni per l'installazione sono in dotazione ai pannelli.

FERMAPORTA DA 90 GRADI

Le porte dei modelli PRO 48 si aprono a 135 gradi. Presso i rivenditori Sub-Zero sono inoltre disponibili kit fermaporta opzionali a 90.

▲ AVVERTENZA

Per conservare o smaltire un vecchio frigorifero o freezer, procedere con cautela. Togliere le porte o bloccarle bene. Gli incidenti con bambini intrappolati all'interno possono avere risultati tragici.



Le informazioni e le immagini contenute in queste sede sono protette da copyright della Sub-Zero Freezer Company, Inc. Questo documento e le informazioni o immagini qui contenute non potranno essere copiate o usati, in parte o nella loro interezza, senza l'esplicito consenso scritto della Sub-Zero Freezer Company, Inc.

©Sub-Zero Freezer Company, Inc. Tutti i diritti riservati.

SUB-ZERO FREEZER COMPANY, INC.

P. O. BOX 44130

MADISON, WI 53744 USA

SUBZERO.COM

