



Verify you are ordering the correct model number. Designate the hinge side at the end of the model number with a -LH or a -RH (Example: BI-36R/F-LH).

The following are optional fields. Fill out as needed:

Customer/Company Name	

Order Date	Order Number

Job Name/Number	Cabinet Style

Sub-Zero Accessories:

Dimensions in parentheses are millimeters unless otherwise specified.

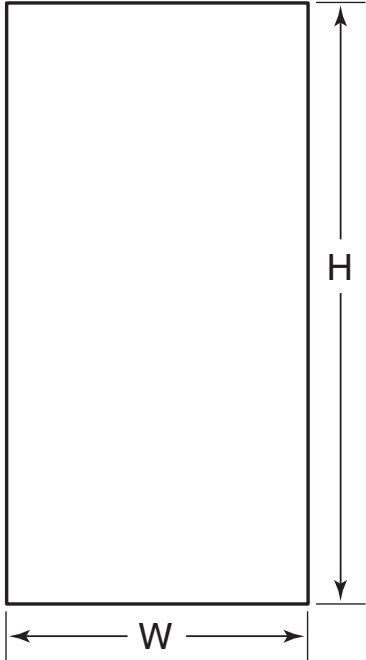
Finished Product Height: _____

IMPORTANT NOTE: For 83" (2108) or 88" (2235) product height an accessory grille is needed.

Panel Dimensions:

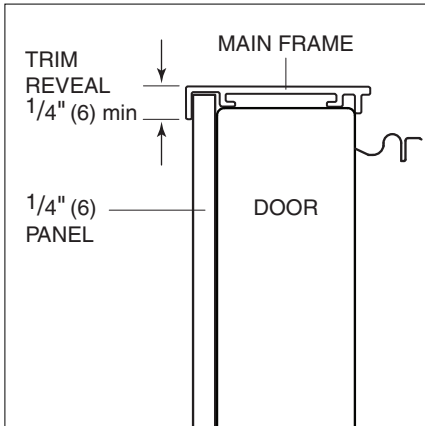
DOOR	WIDTH (W)	HEIGHT (H)
Door Panel	_____	_____

Maximum Weight of Panel:

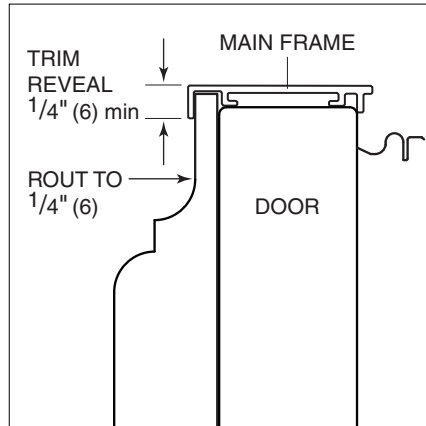


Panel Thickness and Handle Profile

If the thickness of the custom panels are less than 1/4" (6), they must be backed-up with a sheet of shim material to build the total thickness to 1/4" (6). If the panel is thicker than 5/8" (16), a routed edge must be provided around the panel to ensure proper fit. Refer to the illustrations.



Panels 1/4" (6) thick or less



Panels thicker than 1/4" (6)

The full scale template shows handle placement and panel thickness for framed application.

